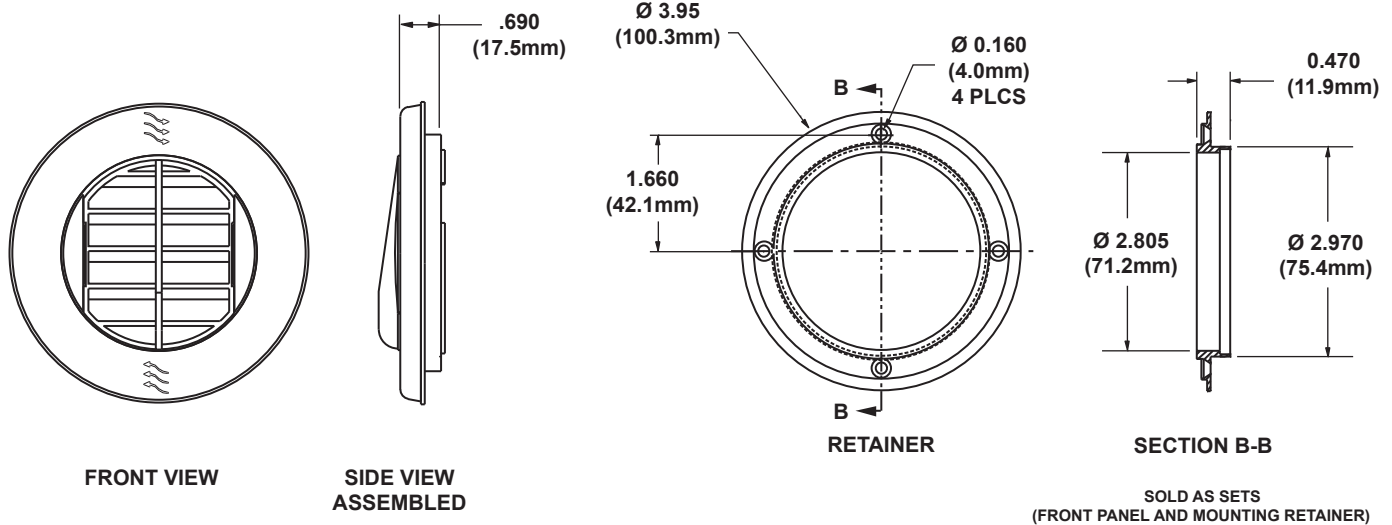


LOUVERS

" 4" Sonora Grille " (PATENT #D508, 122S)

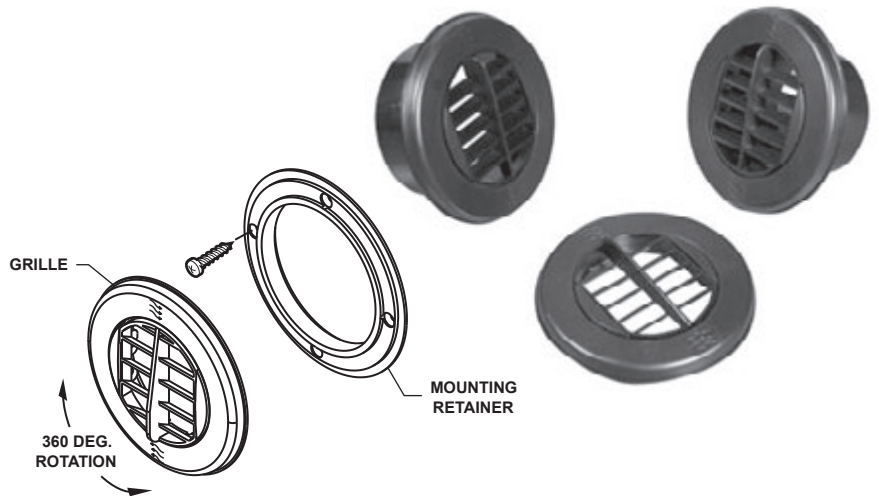


P.N. 06-2019

4" SONORA GRILLE
W/ MOUNTING RETAINER
MATERIAL - BLACK ABS

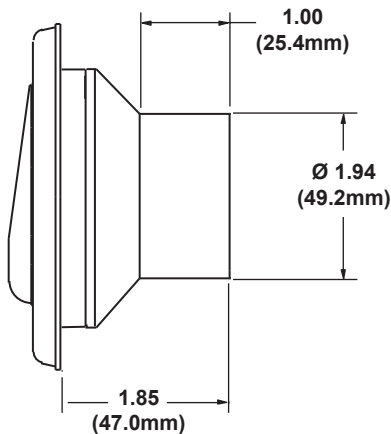
FEATURES :

- NEW SLIM DESIGN W/O SCREWS SHOWING ON FACE
- EASY ROTATION FOR DIRECTIONAL AIR FLOW
- IDEAL FOR HEAT APPLICATIONS
- AVAILABLE WITH HOSE ADAPTERS
- INNOVATIVE 3" HOSE ADAPTER FOR UNLIMITED LENGTHS AT 1" INCREMENTS



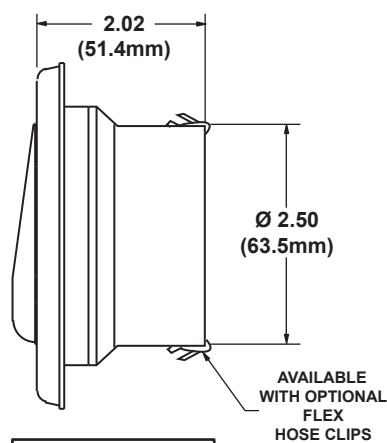
SONORA GRILLE W/ HOSE ADAPTERS

MATERIAL - BLACK ABS / OPTIONAL FLEX HOSE CLIPS



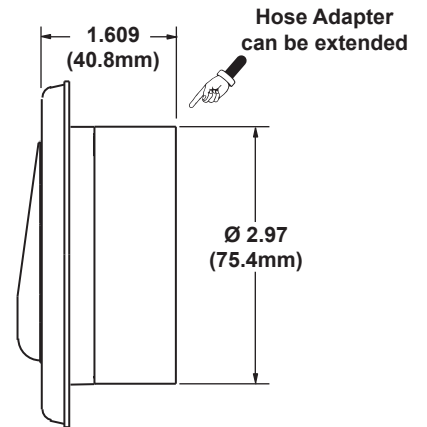
P.N. 06-2019-4

4" SONORA GRILLE
W/ 2" HOSE ADAPTER



P.N. 06-2019-2

4" SONORA GRILLE
W/ 2-1/2" HOSE ADAPTER



P.N. 06-2019-3

4" SONORA GRILLE
W/ 3" HOSE ADAPTER