

OFF-ROAD

R-9750 Headliner

Air Conditioner with Heat Option

CONSTRUCTION • MINING • AGRICULTURE

The R-9750 is the ideal headliner A/C unit for off-highway equipment cabs. It quickly produces 240 CFM of airflow, filters recirculating cab air, and its heater option delivers year-round comfort. Four multidirectional louvers deliver the air where you need it. Options include an outside air adapter, remote-mount filter, and in-line booster blower for a pressurized, dust-free cab.



HEATER-A/C

R-9750 SPECIFICATIONS

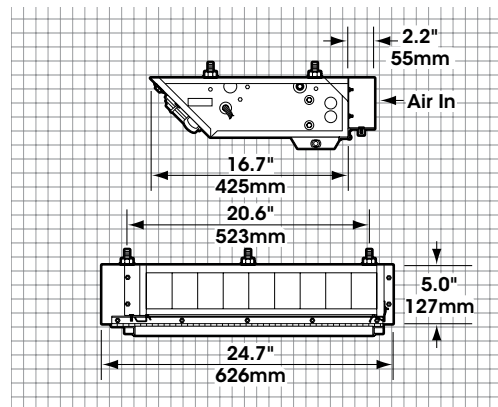
BTUs Cooling – 17,000 BTU/Hr with 36°F (5 kW with 2.2°C) refrigerant temperature and 80°F (26.7°C) wet bulb entering air
 Heating – 25,600 BTU/Hr @ 100°F (7.5 kW @ 37.8°C) air temperature rise

AIR FLOW 240 CFM (408 m³/h)

WEIGHT 44 lbs. (20 kg)

CURRENT 13 amps @ 13.6 VDC (includes 4 amps for A/C clutch)

DRAW 6.5 amps @ 27.2 VDC (includes 2 amps for A/C clutch)



R-9750 SYSTEM ORDERING GUIDE

| | R-134a | NOTES |
|-------------------------|--|--|
| UNITS | R-9750-9P R-9750-9-24P R-9750-10P R-9750-10-24P | 12 VDC – Heater - A/C 24 VDC – Heater - A/C 12 VDC – A/C Only 24 VDC – A/C Only |
| CONDENSER | Radiator Mount Remote Mount | See 77 Series Condensers section See 77R7100 RD-4-4968-0P on page 460 |
| INSTALLATION KIT | 78R1705 78R1077 | Refrigerant hose, fittings and hardware Rooftop condenser EZ Clip version |
| OPTIONS | Outside Air Adapter Remote Mount Filters Replacement Recirc. Filter In-Line Booster Pressurizers* Heat Conversion Kit Metal Converter Controls Cable | RD-3-4784-0P See Filters & Pressurizers section 78R5310 See Filters & Pressurizers section RD-5-5982-1P RD-5-7999-1P RD-5-5505-33P |
| COMPRESSOR | Requires compressor and mounting kit | See 75 Series Compressor section on page 329 |

* Booster Pressurizer Can Only Be Used With Remote Mount Filters