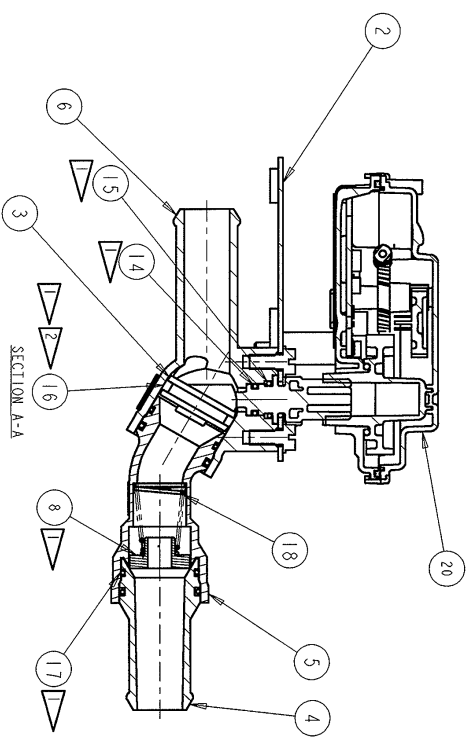


-0 & -1 SHOWN  
ACTUATOR SHOWN IN PHANTOM FOR  
CLARITY OF VALVE STEM ORIENTATION  
WITH DISC (RD-5-7035-0) IN CLOSED POSITION



LT#	DATE	BY	CHK'D	PROOF	REVISION
A	B	C	D	E	F
6-30-05	MM	JAY	-	TLO	ADDED RD-5-3880-0. (ER 31995)
3-30-08	RCM	REO	--	TLO	ADDED -1 & RD-5-11862-0 (ER#32203)
5-26-08	LAM	TLO	--	TLO	ADDED RD-5-6016-0, .156; QTY OF RD-5-6403-0 WAS (3); (ER 33211)
12-11-06	AAK	(Signature)	(Signature)	X-2ed	-0 REPLACED BY -1. (ER 33355)

- 1) VALVE SHOWN IN CLOSED POSITION. ROTATES COUNTERCLOCKWISE TO OPEN.
- 2) LABEL TO INCLUDE: RED DOT PART NO., LATEST RED DOT REVISION LETTER AND DATE OF MANUFACTURE
- 3) RD-5-7044-4114 QUAD RING MUST BE INSTALLED FLAT ON RD-5-7035-0 DISC. BOTH BUMPS OF QUAD RING MUST BE IN LINE AND PARALLEL TO CENTERLINE OF DISC AFTER INSTALLATION OF LUBRICANT TO INSIDE OF HOUSING IN THE DISC ACTUATION AREA
- 4) LUBE \*O\* RINGS AND QUAD RING USING RD-5-5145-0. ALSO, APPLY A THIN COATING OF LUBRICANT TO INSIDE OF HOUSING IN THE DISC ACTUATION AREA
- 5) ASSEMBLE & LEAK TEST VALVE PER ES-415
- 6) AMBIENT OPERATION TEMPERATURE: -50° F - +250° F
- 7) OPERATING FLUID PRESSURE MAX.: 55 P.S.I.

NOTE:

20	RD-5-11862-0	ACTUATOR ASSEMBLY - PHM INPUT
19	RD-5-5145-0	LUBRICANT - HIGH VISCOSITY SILICONE
18	RD-5-3880-0	LABEL - INLET, .28 LITERS, .75 TAPE
17	RD-5-6734-0	SPRING, RELIEF VALVE
16	RD-5-4017-018	O-RING
15	RD-5-7044-4114	QUAD RING
14	RD-5-6403-0	O-RING
13	RD-5-4017-010	O-RING
12	RD-5-8589-0	STEM WATER VALVE
11	RD-5-6016-0-.156	SPACER - PLASTIC, .375 OD X .171 ID X 1.00 LONG
10	RD-5-4699-0-1.500	SCREW-PAN HD PHILLIPS, 4-40 UNC-2A
9	RD-5-5260-0-.375	SCREW - 6/32 HEX WASHER HD
8	RD-5-7600-0	PISTON - 88 PLASTIC HEX WMSR HD
7	RD-5-5028-0	LABEL - PART NO.
6	RD-5-7594-0	HOUSING - WATER VALVE
5	RD-5-7597-0	FITTING - RELIEF, WATER VALVE
4	RD-5-5290-0	FITTING - ADAPTOR, WATER VALVE 5/8 NIPPLE
3	RD-5-7035-0	DISC, QUAD RING - WTR. VLV.
2	RD-3-11959-0	ACTUATOR BRACKET WATER VALVE
1	RD-5-11470-0	ACTUATOR - SEALED 12/24 VDC
0		
-1		

X-2 REPLACED BY MULTI VOLTAGE

SCALE: 1.00

RED DOT CORPORATION  
495 Andover Park East  
Seattle, WA 98188

THIS DRAWING IS PROPRIETARY INFORMATION (UNLESS OTHERWISE SPECIFIED) AND IS NOT TO BE REPRODUCED OR TRANSMITTED IN ANY FORM OR BY ANY MEANS, ELECTRONIC OR MECHANICAL, INCLUDING PHOTOCOPYING, RECORDING, OR BY ANY INFORMATION STORAGE AND RETRIEVAL SYSTEM.

DATE: 12/11/06

BY: AAK

CHK'D: (Signature)

PROOF: (Signature)

REVISION: X-2ed

VALVE - WATER, ELECTRONIC

US/UK

RD-1-2654

C 1 of 1