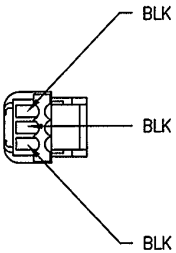
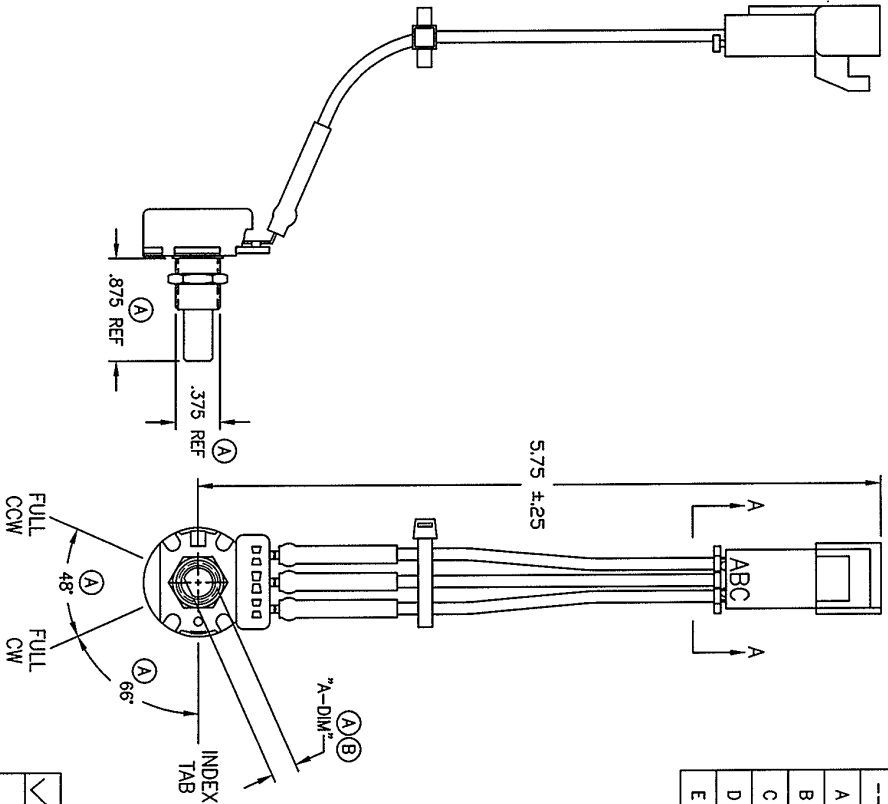


LTR	DATE	BY	CHK'D	PROD APPR	REVISION
--	3-7-96	BJD	DEC	JW	INITIAL RELEASE; (ER 07706)
A	3-28-96	PLH	BJD	JW	ADDED .218, 66°, 48°, .875 REF, .375 REF, AND GEN NOTE 2; (ER 07706)
B	2-18-97	CWB	CSW	MT	ADDED FLAGNOTE 2 & -1 ASSY; "A-DIM" WAS .218; (ER 07704)
C	4-14-97	DMG	DEC	RLM	ADDED GEN. NOTE 3); (ER07706)
D	11-11-98	CWB	DEC	JER	FLAG NOTE 1 WAS "...10K, CLAROSTAT PART NO. RV4NAYS0502A..."; (ER 15800)
E	2-25-99	J.N.	ASS	ASS	FLAG NOTE 1 WAS "...CLAROSTAT PART NO. RV4NAYS0502A..."; (ER 15967)



② SEE MATRIX FOR DASH NO.

VIEW A - A

① RD-5-8487-0 CONSISTS OF:

- (1) POTENTIOMETER - 5K, CLAROSTAT PART NO. C0408219 (RV4NAYS0502A)
- (2) MALE TERMINALS, 150 SERIES, METRI-PAK, PACKARD ELEC. NO. 12047581
- (3) 3 PIN MALE TPA, 150 SERIES, PACKARD ELEC. NO. 12047784
- (1) 3 PIN MALE CONN, 150 SERIES, PACKARD ELEC. NO. 12064759
- (3) BLK 18 GAUGE WIRES, 5 INCHES IN LENGTH

- ③ WIRES MUST BE SECURED WITH SMALL, 4" PLASTIC TIE WRAP AS SHOWN
- ② POTENTIOMETER SHOWN IN FULL CW ROTATION
- ① WIRES MUST BE SOLDERED TO POTENTIOMETER AND COVERED WITH SHRINK TUBE

NOTE:

DASH No.	"A-DIM"
-0	.218
-1	.155

ITEM	PART NO.	DESCRIPTION	MAT'L	FINISH
DWN	B. DARMENTO 01-15-96	RESISTOR ASSY. - VARIABLE		
OKD	D. CLORE 3-7-96	ROTARY		
SCALE FULL SIZE		THIS PRINT IS PROPRIETARY INFORMATION LOANED SUBJECT TO RETURN UPON DEMAND AND IS NOT TO BE USED DIRECTLY OR INDIRECTLY IN ANY WAY DETRIMENTAL TO RED DOT CORPORATION.		
TOLERANCES EXCEPT AS NOTED		NEXT ASSY DWG. NUMBER		
.000 = ±		RD-5-8487		
.00 = ±		SIZE		
.000 = ±		B		
		SHEET 1 OF 1		

RED DOT CORPORATION  
495 Andover Park East  
Seattle, WA 98188