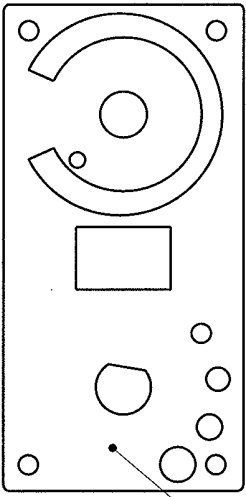
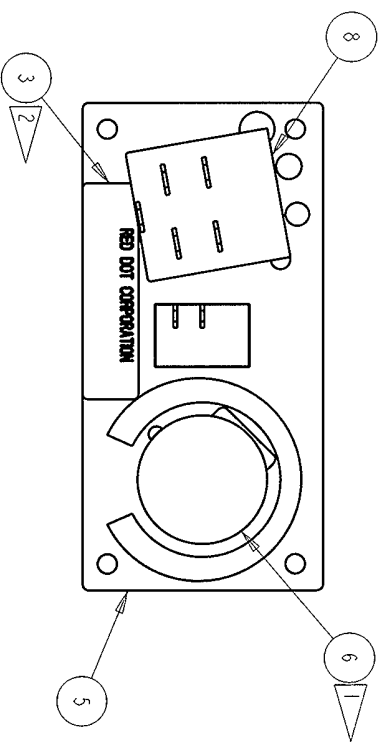
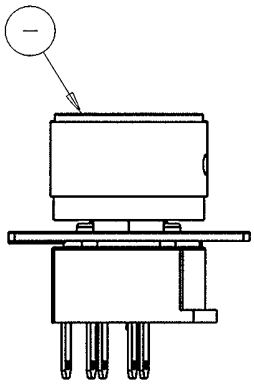
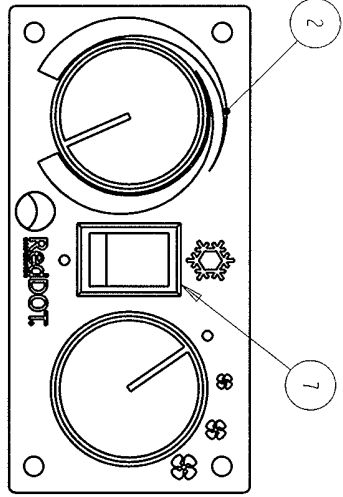
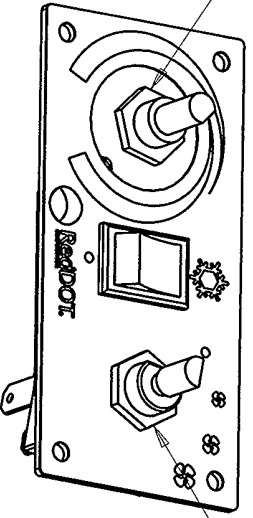


LTR	DATE	BY	CHK'D	PROV'D	PROB	REVISION
--	MM/DD/YY	RMK	SLC	OUT	APPR	INITIAL RELEASE (ER 34014)
	6-28-07		LAM			



LABEL THIS SIDE



GENERAL VIEW
KNOBS AND TEXT REMOVED FOR CLARITY

- NOTES:
- 1) NUT AND STAR WASHER INCLUDED WITH RESISTOR ASSY RD-5-8487-1
 - 2) USE RD-5-5028-0 LABEL AND INCLUDE RED DOT PART NUMBER, DATE OF MANUFACTURE AND LATEST RED DOT REVISION LEVEL
 - 3) CONNECTOR HARNESS OF RD-5-8487-1 NOT SHOWN
 - 4) TORQUE TO 20-25 IN-LB
 - 5) TORQUE TO 11-15 IN-LB

1	8	RD-5-10934-0	SWITCH - ROTARY 3 SPD (25 AMP), EXTENDED SHAFT
1	7	RD-5-8967-0	SWITCH - ROCKER, BLACK
1	6	RD-5-8487-1	RESISTOR ASSY. - VARIABLE
1	5	RD-3-13610-0	PLATE - CONTROL PANEL
1	4	RD-5-4133-0	NUT - 7/16-28 UNEF-28
1	3	RD-5-5028-0	LABEL - PART NUMBER
1	2	RD-3-13612-0	LABEL - CONTROL PANEL
2	1	RD-5-8075-0	KNOB - CONTROL, DEEP RECESS
-0	ITEM		DESCRIPTION
	DWR	R. KROFFT	5-8-07
	CND	L. MILLAR	5-14-07
SCALE: 1.00			
RED DOT CORPORATION			
493 Andover Park East Seattle, WA 98188			
CONTROL PANEL ASSEMBLY		MULTI-USE	
THIS PRINT IS PROPRIETARY INFORMATION LOANED SUBJECT TO RETURN UPON DEMAND AND IS NOT TO BE USED DIRECTLY OR INDIRECTLY IN ANY WAY DETRIMENTAL TO RED DOT CORPORATION		NEXT ASSY	DWG. NUMBER
RD-3-13609		RD-3-13609	RD-3-13609
SIZE		SHEET	
B		1 of 1	