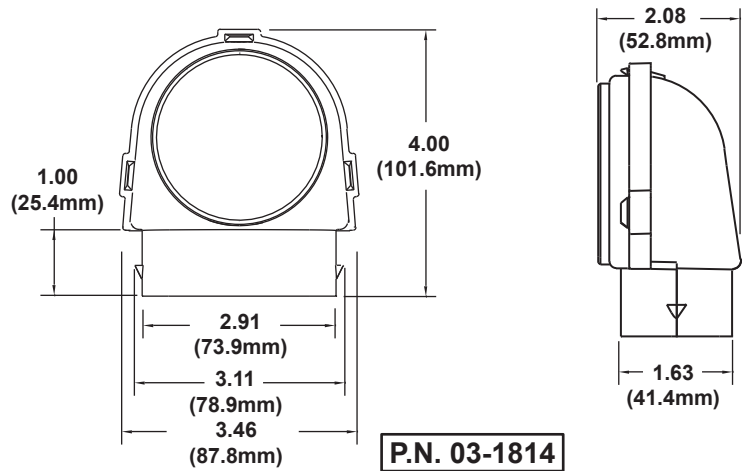


# LOUVERS

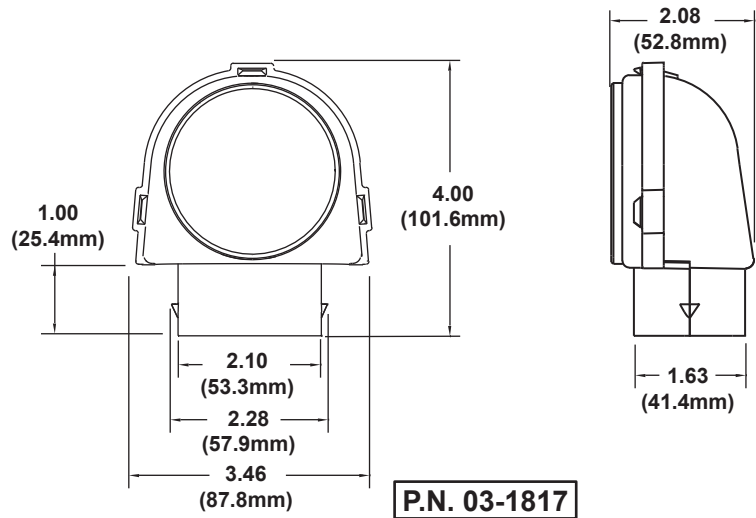
## "90 Deg. LOUVER ADAPTER"



2-1/2" 90 DEGREE LOUVER ADAPTER

### Advantages:

- Ideal for "in wall" installation, only requires diameter hole in panel.
- Made of Rigid ABS - meets FMVSS302
- Slim design for "Right Angle" Installation
- Threaded opening for easy mounting
- Choice of 2.7" Sonora or 2-1/2" Canyon Louver (Sold In Sets)
- "Curved" back surface for better air flow
- Available with 2" or 2-1/2" flex hose adapter.



2" 90 DEGREE LOUVER ADAPTER

