



**PARTS CATALOG PROHEAT X45 PLUS**

SERIAL NUMBERS

X45 PLUS PCM MODEL HEATERS:

130000 (12 VOLT) – TO DATE

230000 (24 VOLT) – TO DATE

ALL MODELS EQUIPPED WITH

A REPLACEMENT X45 PLUS PCM

PROHEAT

# TABLE OF CONTENTS

<b>A. SAFETY</b> .....	A-1
<b>B. SELECTION GUIDE</b> .....	B-1
<b>C. PROHEAT CONTROL MODULE (PCM) TYPE</b> .....	C-1
<b>BLOWER</b>	
Blower, 12V .....	1
Blower, 24V .....	1
<b>COMPRESSOR</b>	
Air Filter .....	5, 8
Compressor, 12V .....	5
Compressor, 24V .....	5
Mounting Clamps.....	5
Compressor Rebuild Kit.....	7
Compressor Diaphragm Kit.....	7
<b>COOLANT PUMPS</b>	
Coolant Pump, 12V .....	5
Coolant Pump, 24V .....	5
Coolant Pump Rebuild Kit.....	6
<b>ELECTRICAL SYSTEM</b>	
X45 Plus Proheat Control Module (PCM).....	3, 4
Fuse Kit, 15 amp .....	3
Power Wire Harness .....	3
Main Wire Harness.....	3
Sleeper Wire Harness.....	3
Switch Wire Harness.....	3
Harness Adapters.....	4
<b>EXHAUST SYSTEM</b>	
Exhaust Pipe, 10" Long.....	2
Exhaust Pipe 90° Elbow .....	2
Exhaust Pipe Clamp .....	2
<b>FUEL SYSTEM</b>	
Nozzle .....	1
Fuel Regulator.....	1
Fuel Pickup .....	9
Fuel Pump.....	5
Fuel Filter .....	5, 8
<b>HEAT EXCHANGER</b>	
Sight Glass Assembly Kit .....	1
Combustion Tube.....	2
Heat Exchanger .....	2
Rubber Shock Mounts .....	2, 12
<b>IGNITION SYSTEM</b>	
Igniter .....	1, 8
Ignition Lead with Boot .....	1, 8
Ignition Coil.....	2

# TABLE OF CONTENTS CONTINUED

## **SENSORS**

Flame Sensor .....	1, 8
Overheat Sensor .....	3
Temperature Sensor .....	3

## **TEST EQUIPMENT & SPECIAL TOOLS**

Test Lead, Main Harness .....	16
Flow Indicator .....	17
Test Gauge, Air Pressure .....	18
Test Gauge, Fuel Pressure .....	18

## **ACCESSORIES**

Fuel Pickup .....	9
Thermostat.....	10
Isolator.....	10
ON/OFF Switch.....	10
Relay.....	10
Auxiliary Heater Core .....	10
Enclosure .....	11
Rubber Mount Kit.....	12
Mount Upgrade Kit.....	12
Auxiliary Base Kit .....	12
Side Frame Mounting Kit.....	13
Across Frame Mounting Kit.....	14
Timer, 7 Day Digital .....	15
Air Inlet Hose .....	15
Impact Switch .....	15
In-Line Fuse Ground Wire .....	15
Hour Meter.....	15
Coolant Pump Harness Adapter .....	15

## **DOCUMENTATION**

X45 Plus Installation Manual.....	19
X45 Plus Parts Catalog .....	19
T-II Timer Instruction Card .....	19
X45 Plus Owner's Handbook.....	19

## **SERVICE KITS**

Fall Tune-Up Kit .....	8
Major Service Kit.....	8

<b>NUMERIC PARTS INDEX .....</b>	<b>20</b>
----------------------------------	-----------

# A. SAFETY

Throughout this manual, you will see notes labeled **DANGER**, **WARNING**, **CAUTION**, and **NOTICE** to alert you to special instructions or precautions concerning a particular procedure that would be hazardous if performed incorrectly or carelessly.

Observe them carefully!

These safety alerts alone cannot eliminate all hazards. Strict compliance with these special instructions and common sense are major accident prevention measures.

## **⚠ DANGER**

**Immediate hazards that will result in severe injury or death.**

## **⚠ WARNING**

**Hazards or unsafe practices that could result in severe personal injury or death.**

## **⚠ CAUTION**

**Hazards or unsafe practices that could result in minor injury or product or property damage.**

## **NOTICE**

Information that is important to proper installation or maintenance, but is not hazard-related.

# SAFETY CONSIDERATIONS

**▲ WARNING**

**▲ WARNING**

**▲ WARNING**

**▲ WARNING**

**▲ WARNING**

**▲ WARNING**

**▲ WARNING**

**▲ WARNING**

**▲ WARNING**

**▲ DANGER**

## Exhaust

Inhalation of exhaust gas (containing carbon monoxide) may cause severe personal injury and/or death. Anyone suspected of suffering from CO inhalation should be removed from the hazardous area and given medical assistance immediately.

## Explosion Hazard

Do not operate heater where combustible fumes or airborne particles, such as sawdust, are present.

## Fuel

Exercise extreme caution when working near fuel or fuel-filled equipment. Do not operate heater during fueling operations. In addition, do not smoke or handle open flame equipment, such as a blowtorch, around fuel.

## Fire Hazard

Do not place any flammable items around the heater and exhaust pipe.

## Batteries

Wear hand and eye protection when working near batteries. Do not smoke or use open flames near batteries.

## Electrical

Electric shock can cause severe personal injury, burns, and death. Before working on any unit, disconnect the batteries. Use only approved materials and methods when working on the electrical system and follow local electrical codes. Never work with electricity in wet conditions or when you are feeling fatigued.

## Poisons/Toxins

Fuel and coolant are toxic and in some cases, carcinogenic. Wear eye and hand protection at all times. Remove contaminated clothing immediately and wash contaminated skin. Do not breathe in vapors.

## Moving/Hot Parts

Moving parts can cause severe injury and or death. Before working on any unit, shut it off. Do not operate any unit until protective covers have been replaced. Always ensure bolts and clamps are correctly torqued and secured. Inspect mechanical components periodically for damage and corrosion.

## Coolant

*Never* remove the filler cap when the engine is hot – escaping steam or scalding water could cause serious personal injury. The coolant level in the expansion tank should be checked at least weekly (more frequently in high mileage or arduous conditions). Always check the level *when the system is cold*. Unscrew the filler cap slowly, allowing the pressure to escape before removing completely. *Never* run the engine without coolant.

Prevent anti-freeze coming in contact with the skin or eyes. If this occurs, rinse immediately with plenty of water. Anti-freeze will damage painted surfaces.

*Never* top-up with salt water. Even when travelling in territories where the water supply contains salt, always ensure you carry a supply of fresh (rain or distilled) water.

## California Proposition 65 Warning

**Do not operate heater in garages or in other closed or unventilated areas.**

**Diesel exhaust and some of its constituents are known to the State of California to cause cancer, birth defects, and other reproductive harm.**

**Electrical components in this product may contain lead, a chemical known to the State of California to cause cancer and birth defects and other reproductive harm.**

# B. SELECTION GUIDE

Heat output 45,000 BTU/Hr (13.0kW)



*This selection guide is designed to help you choose the appropriate PROHEAT kit for your application.*

*For further information, visit our web site at [www.proheat.com](http://www.proheat.com)*

## Standard Heater Kit For Engine Heat

- PH0403P 12 Volt Standard Heater Kit
- PH0404P 24 Volt Standard Heater Kit

### Kits Contain:

- Basic Heater . . . . . PH0405P or PH0406P
- Aluminum enclosure box, checker . . . . . PK0200
- 12/24 Volt Installation kit. . . . . PK0312

## Supplemental Heater Kit

- PH0405PC 12 Volt Supplemental Heater Kit
- PH0406PC 24 Volt Supplemental Heater Kit

### Kits Contain:

- Basic Heater . . . . . PH0405P or PH0406P
- Aluminum enclosure box, plain . . . . . PK0202
- 12/24 Volt Installation kit. . . . . PK0312
- Auxiliary Input Harness inc. for Supplemental and Preheat Modes.

## Truck Heater Kit for Engine And Sleeper Heat

- PH0401P 12 Volt Truck Heater Kit

### Kit Contains:

- Basic Heater . . . . . PH0405P
- Aluminum enclosure box, checker . . . . . PK0200
- Sleeper control kit (c/w thermostat). . . . . PK0052
- Installation Kit . . . . . PK0312

## Basic Heater Without Aluminum Enclosure Box

- PH0405P 12 Volt Basic Heater Kit (requires PK0312)
- PH0406P 24 Volt Basic Heater Kit (requires PK0312)

### Basic Kit Contains:

- |                         | <b>12 Volt</b> | <b>24 Volt</b> |
|-------------------------|----------------|----------------|
| Mounting Base . . . . . | 953346K        | 953346K        |

## Installation Kit

- PK0312 12/24 Volt Installation Kit

### Installation Kit Contains:

- Power Harness . . . . . 305531K
- Control Harness . . . . . 305533K
- Switch 12 Volt . . . . . 920125K
- Switch 24 Volt . . . . . 842725K
- 15A Fuse . . . . . 978888K
- Fuel Pick Up . . . . . 841027K
- Exhaust Pipe . . . . . 845028K
- Exhaust Clamp . . . . . 909521K
- Fuel Line. . . . . 842020K

## Options

- PK0001-1 Timer, 7 day digital
- PK0052 Sleeper control kit with thermostat
- PK0051 Hour meter kit
- PK0053-4 Data Link kit
- PK0055 Impact switch kit (for bus installations)
- PK0151 Across-frame mounting kit
- PK0152 Side-frame mounting kit
- PK0200 Aluminum enclosure box, checker
- PK0202 Aluminum enclosure box, plain
- PK0312 Basic installation kit, 12/24 Volt
- PK0360 Aux Heater kit 12 Volt
- PK0362 Aux Heater kit 24 Volt

## **GI/II/III PCM Upgrade Kits**

997050K XL900/1500 & X45 GII/GII to X45 Plus PCM

### **Upgrade Kits Include:**

X45 Plus PCM (12/24 volts)

Power harness adapter

Control harness adapter

Sleeper Fan and Aux input harness adapters

# C. PROHEAT CONTROL MODULE (PCM) TYPE

The G-I/II/III X45 Proheat Control Module (PCM) is no longer available, it has been replaced with the X45 Plus PCM. The new X45 Plus PCM incorporates both 12 and 24 volt PCM's into a single part number. All X45 Plus PCM's now have Sleeper Fan outputs and Aux inputs included, new Anti-Freeze mode, new advanced Data Link software and J1939 CAN bus.

Both styles can be identified in the figure below. Please refer to the X45 Plus Service Manual at [www.proheat.com](http://www.proheat.com) for additional information.

**THIS MANUAL COVERS ONLY THE X45 Plus PCM.**  
**Please see SL9070 for parts information on the X45 GI/II/III PCM.**

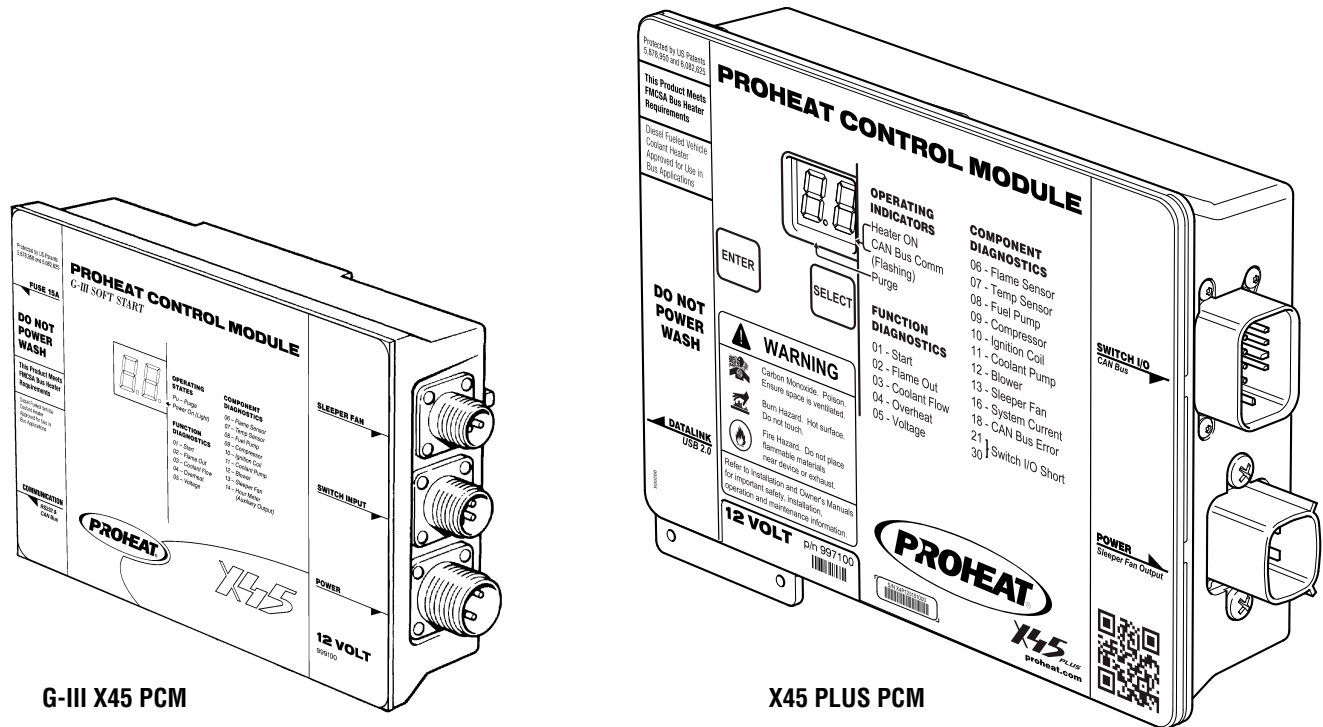


Figure 1. G-III X45 PCM and X45 Plus PCM.





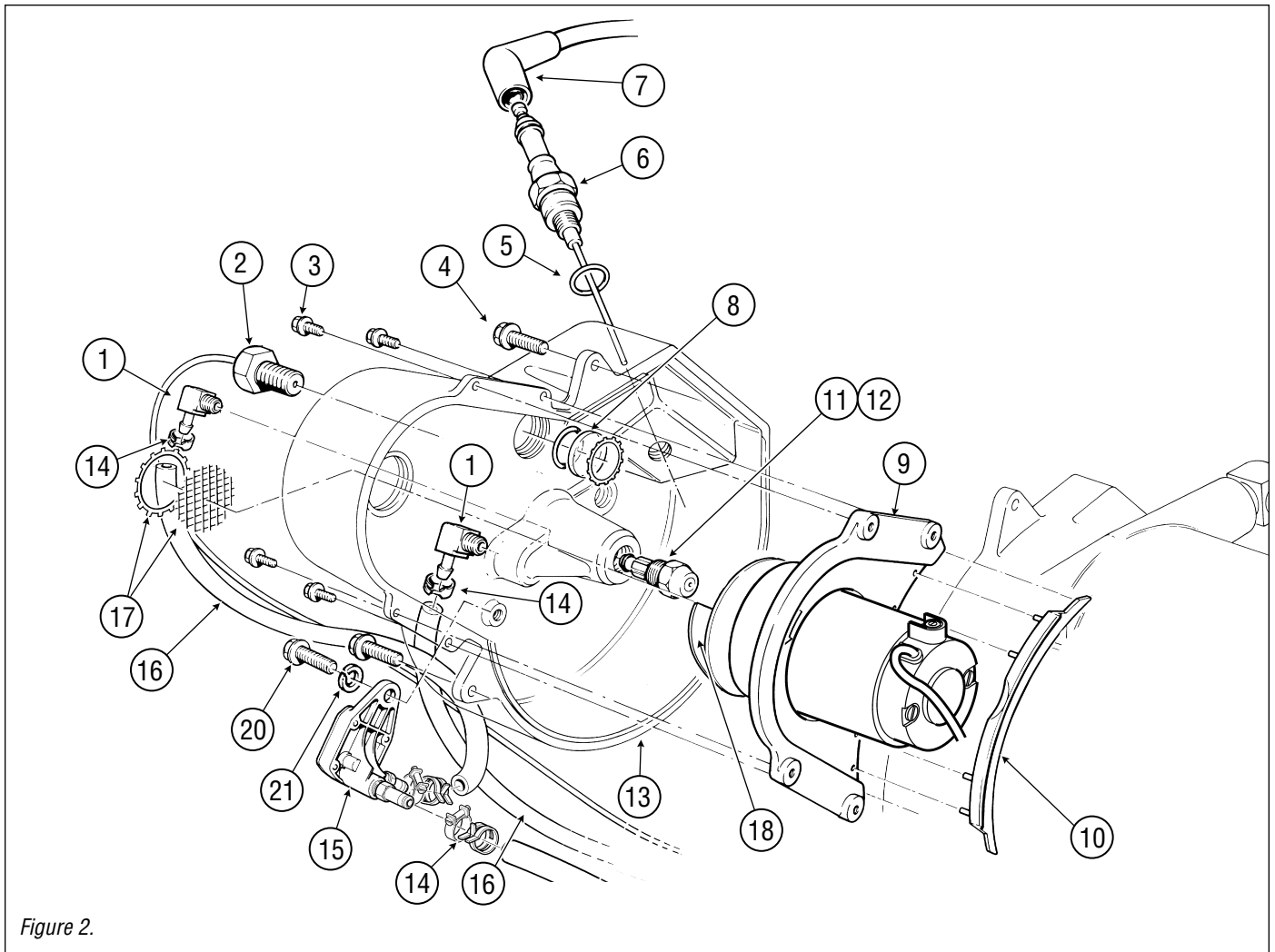


Figure 2.

ITEM	PART#	DESCRIPTION
1	842123K	Elbow, 3/8" Hose x 1/8" NPT, Air & Fuel
2	954329K	Sensor, Flame
3	934429K	Screw, 10-24 NC x 5/8" Hex HD (4/pkg.)
4	903628K	Screw, Hex Flange, 1/4" NC x 5/8" (12/pkg)
5	953523K	Gasket, Seat, Igniter
6	933525K	Igniter, X45 Plus c/w Gasket
7	930523K	Lead, Ignition c/w coil boots (not shown)
8	844721K	Sight Glass Assy Kit
9	980212K	Blower, 12V c/w Gasket & Fan Blade
	980224K	Blower, 24V c/w Gasket & Fan Blade
10	964424K	Gasket, Blower
11	938326K	Nozzle, Fuel, 30609-32 c/w O-Ring
		<b>Note:</b> Always check part # on nozzle to ensure correct replacement part.
12	221442K	O-Ring, Nozzle
13	932100K	Fan End Casting (sub) c/w items 1, 8 & 17

ITEM	PART#	DESCRIPTION
14	880072K	Clamp, Spring, 1/4" (10/pkg)
		<b>Note:</b> 3/16" hose is an obsolete size. Please check your heater to ensure you are ordering the correct part.
	934325K	Clamp, Screw, 3/16" (2/pkg)
	840429K	Clamp Spring, Air Green 3/16"
15	951126K	Regulator, Fuel
16	842020K	Hose, Air & Fuel, 1/4" ID, per 5ft.
17	964321K	Screen, Blower Inlet Kit
18	900316K	Fan Blade c/w Glue
20	922525K	Screw, 1/4" NC x 7/8" SS (4/pkg)
21	029526K	Lockwasher, 1/4", SS (10/pkg)

# HEAT EXCHANGER

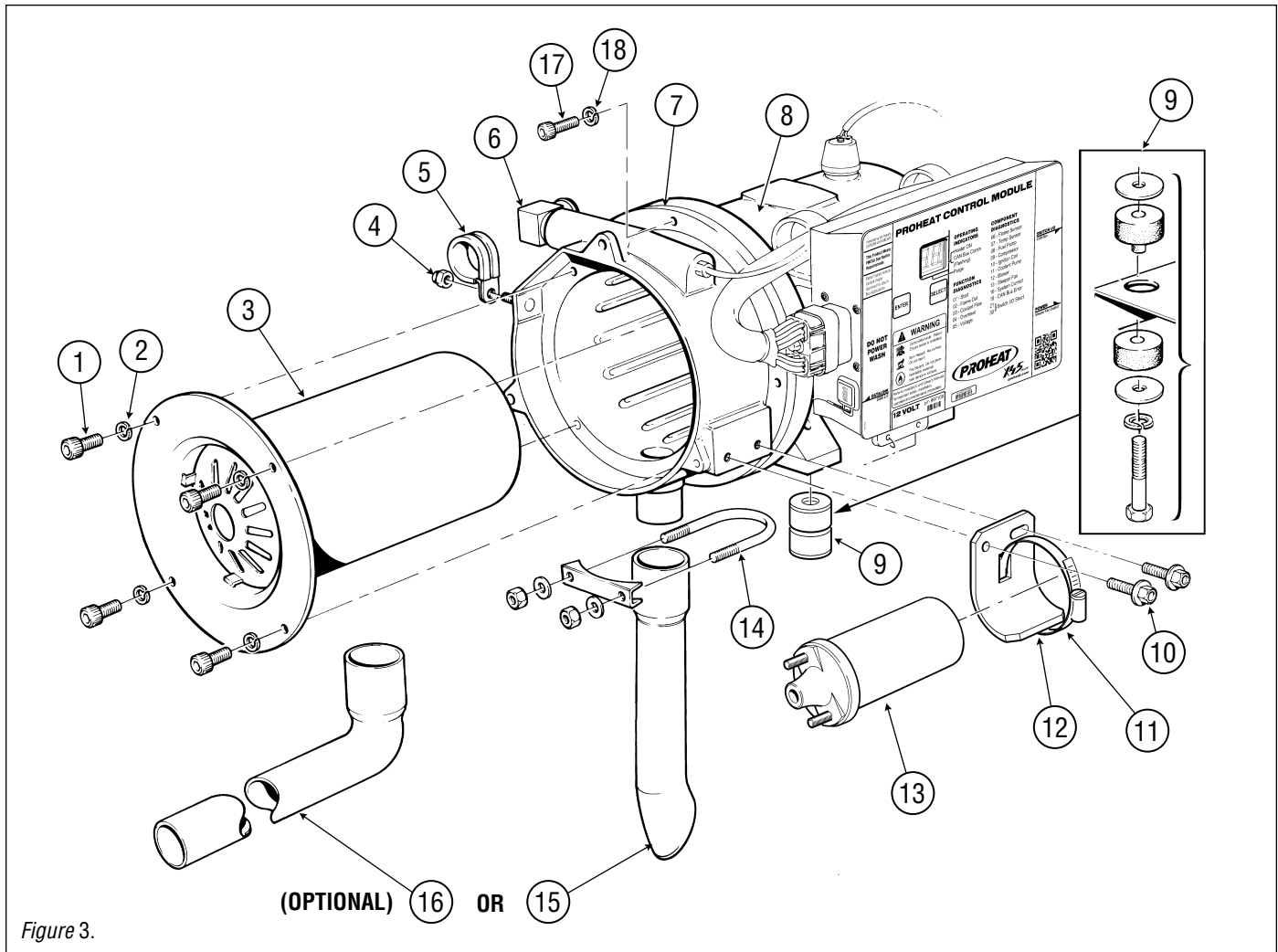


Figure 3.

ITEM	PART#	DESCRIPTION
1	999670K	Screw, 10-24 NC x 1/2", Socket SS (4/pkg)
2	020625K	Lockwasher, #10, SS (10/pkg)
3	844222K	Combustion Tube, X45
4	938928K	Nut, Nylon, 1/4" NC Jam (6/pkg)
5	936725K	Clamp, Cushioned 3/8" ID
6	904921K	Elbow, 3/4" Hose x 1/2" NPT
7	225527K	O-Ring, Heat Exchanger
8	934522K	Heat Exchanger c/w Elbows
9		Mounting Hardware (see page 12)
10	903628K	Screw, Hex Flange, 1/4" NC x 5/8" (12/pkg)
11	334423K	Clamp, Gear, #32
12	850113K	Bracket, "J" c/w Clamp
13	913526K	Coil, Ignition
14	909521K	Clamp, Exhaust Pipe

ITEM	PART#	DESCRIPTION
15	845028K	Exhaust Pipe, Straight, 10"
16	980521K	Exhaust Pipe, 90° Elbow, 24"
17	922525K	Screw, SHCS, 1/4" NC x 7/8" (4/pkg)
18	029526K	Lockwasher, 1/4", SS (10/pkg)

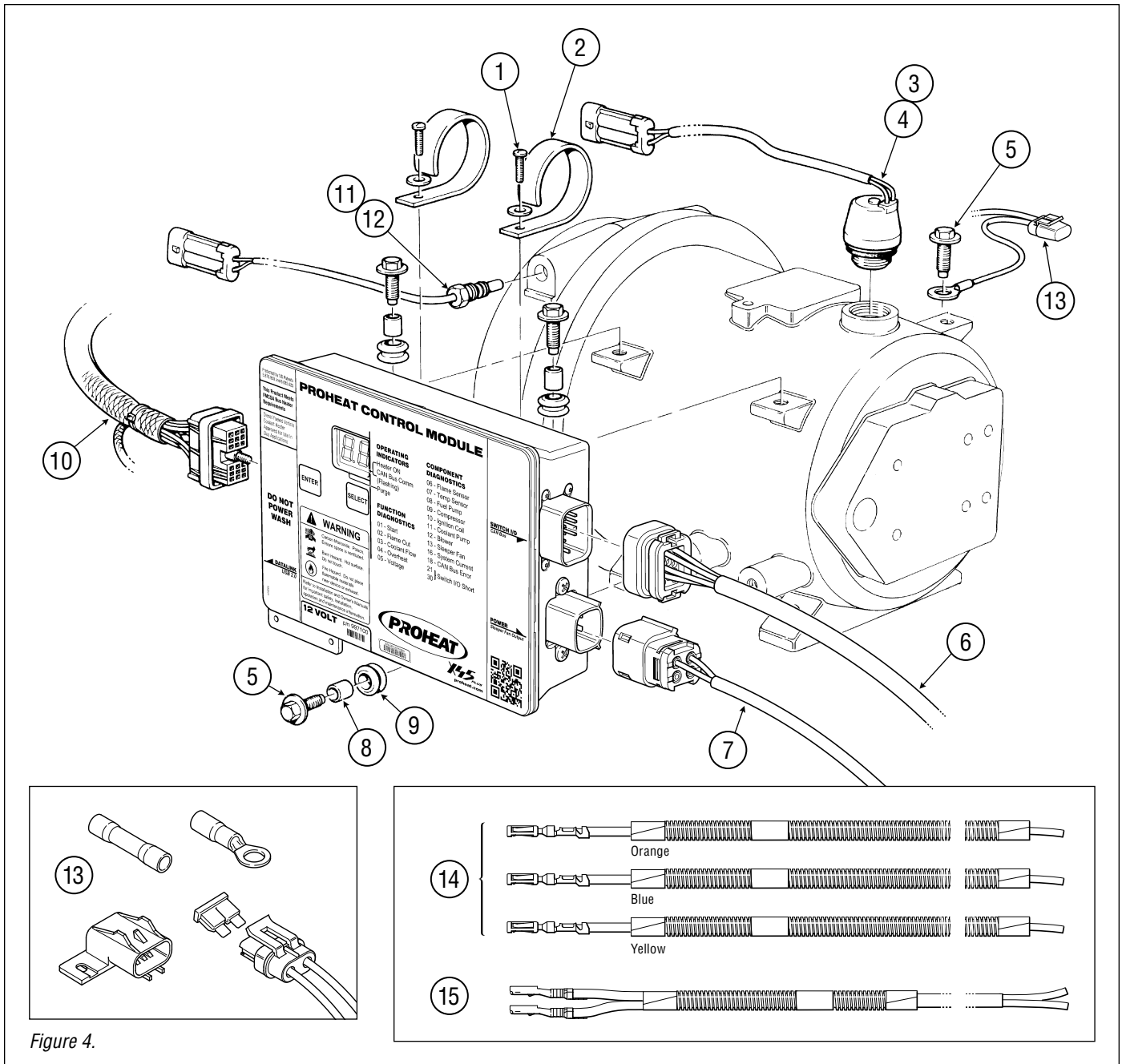


Figure 4.

ITEM	PART#	DESCRIPTION
1	934429K	Screw, 10-24 NC x 5/8" Hex HD (4/pkg)
2	934626K	Clip, Wire Harness (2/pkg)
3	901021K	Sensor, Overheat c/w O Ring
4	917724K	O-Ring, Overheat
5	903628K	Screw, Hex Flange, 1/4" NC x 5/8" (12/pkg)
6	305533K	Harness, X45 Plus Switch/Control 25'
7	305531K	Harness, X45 Plus, Power 16'
8	842528K	Spacer, Controller (3/pkg)
9	905229K	Grommet, Controller Mount (3/pkg)
10	934500K	Harness, Internal, 12V
	934520K	Harness, Main, 24V c/w Ground Fuse (Can be used in 12V applications.)

ITEM	PART#	DESCRIPTION
11	901124K	Sensor, Temperature c/w O-Ring
12	905821K	O-Ring, Temperature Sensor
13	978888K	Kit, Fuse, Battery 15A (Also used for adding a ground side fuse)
14	305538K	Harness, Optional, X45 Plus, Add in, Switch/Control 25' c/w 3 wires Yellow, Blue and Orange
15	305537K	Harness, Optional, X45 Plus, Add in, Sleeper Fan, 30'

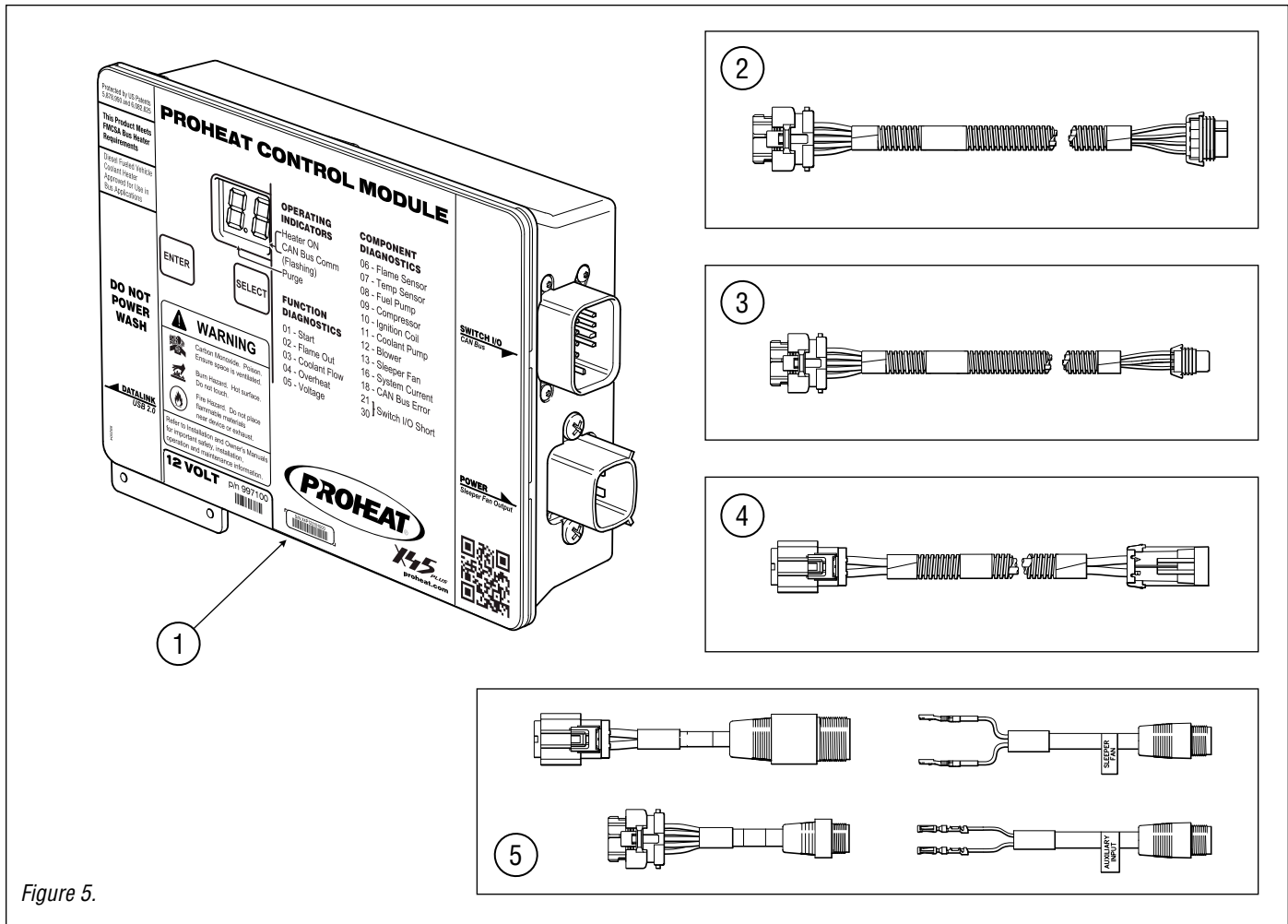


Figure 5.

ITEM	PART#	DESCRIPTION
1	997000K	PCM Only, X45 Plus, 12/24 Volt <b>Note:</b> Used to replace all X45 Plus PCMs (except OEM MCI application). This is not an upgrade kit.
1	997050K	PCM Upgrade Kit, X45 Plus 12/24 Volt <b>Note:</b> Replaces all X45 GI/II/III 12 & 24 volt PCMs (except OEM MCI applications). Includes 305542K Harness adapter kit and 978888K Fuse kit.
<b>Transit Bus and Motor Coach heaters have specific software. The basic PCMs listed above are not intended to be used in Transit Bus and Motor Coach applications. Transit Bus and Motor Coach OEM specific PCM part numbers are listed below.</b>		
1	997450K	PCM Upgrade Kit, X45 Plus Transit <b>Note:</b> NABI application. Includes items 3 & 4.
1	997850K	PCM Upgrade Kit, X45 Plus MCI Only <b>Note:</b> MCI Coach applications only. Inc. items 2 & 4.
1	997800K	PCM Only, X45 Plus, MCI Only <b>Note:</b> Used to replace all X45 Plus PCMs in MCI applications. This is not an upgrade kit.

ITEM	PART#	DESCRIPTION
2	305534K	Harness, X45 Plus MCI, Control
3	305535K	Harness, X45 Plus Transit, Control
4	305536K	Harness, X45 Plus MCI & Transit, Power
5	305542K	<b>KIT, UPGRADE HARNESS ADAPTERS</b> <b>Includes:</b> Harness, Adapter, Switch Harness, Adapter, Power Harness, Adapter, Sleeper Fan Harness, Adapter, Aux Input

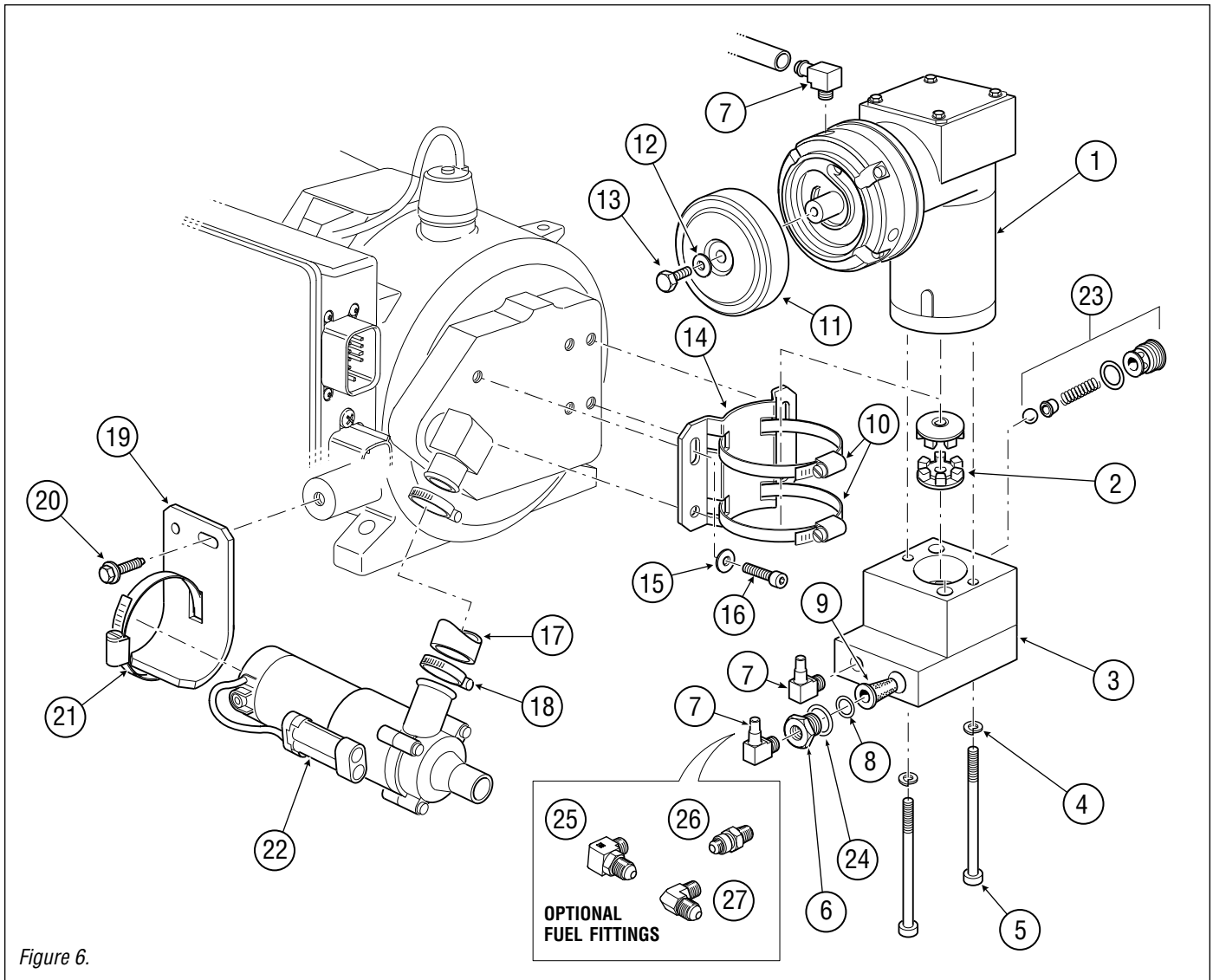


Figure 6.

ITEM	PART#	DESCRIPTION
1	930812K	Compressor, 12V
	930824K	Compressor, 24V
		<i>Compressor Rebuild Kit see page 7</i>
2	940732K	Coupling (2/pkg)
3	980012K	Fuel Pump c/w coupling & items 2, 4 to 9, 23 & 24
4	020625K	Lockwasher, #10, SS (10/pkg)
5	922680K	Screw, #10-24 x 2 1/2", SS (2/pkg)
6	880015K	Fitting, Filter Cap c/w O-Ring item 24
7	842123K	Elbow, 3/8" Hose x 1/8" NPT, Air & Fuel
8	014925K	O-Ring, Fuel Filter (2/pkg)
9	880035K	Filter, Fuel c/w item 8 & 24
10	331539K	Clamp, Gear #36 (1/pkg)
11	825730K	Filter, Compressor
12	254261K	Washer, Sealing, 685-002 (2/pkg)
13	922224K	Screw, 1/4NC x 1/2" (2/pkg)
14	212476K	Bracket, Compressor / Fuel Pump

ITEM	PART#	DESCRIPTION
15	029526K	Lockwasher, 1/4", SS (10/pkg)
16	950121K	Screw, 1/4"NC x 1/2" SS (4/pkg)
17	961229K	Hose, Coolant, 3/4" ID, 1 ft.
18	962823K	Clamp, Silicon Hose, #10
19	850113K	Bracket, "J" c/w Clamp
20	903628K	Screw, Hex Flange, 1/4" NC x 3/4" (12/pkg)
21	334423K	Clamp, Gear, #32
22	940326K	Coolant Pump, 12 Volt
	942820K	Coolant Pump, 24 Volt
		<i>Coolant Pump Rebuild Kit see page 6</i>
23	981324K	Relief Valve Kit
24	014427K	O-Ring, Fuel Fitting
25	285725K	Fitting, SAE 45° Flare Male – 1/8" Male NPT Elbow
26	859165K	Fitting, -4 JIC-M x 1/8 NPT-M STL
27	850217K	Fitting, -4 JIC Male – 1/8" Male NPT Elbow

# COOLANT PUMP REBUILD KIT

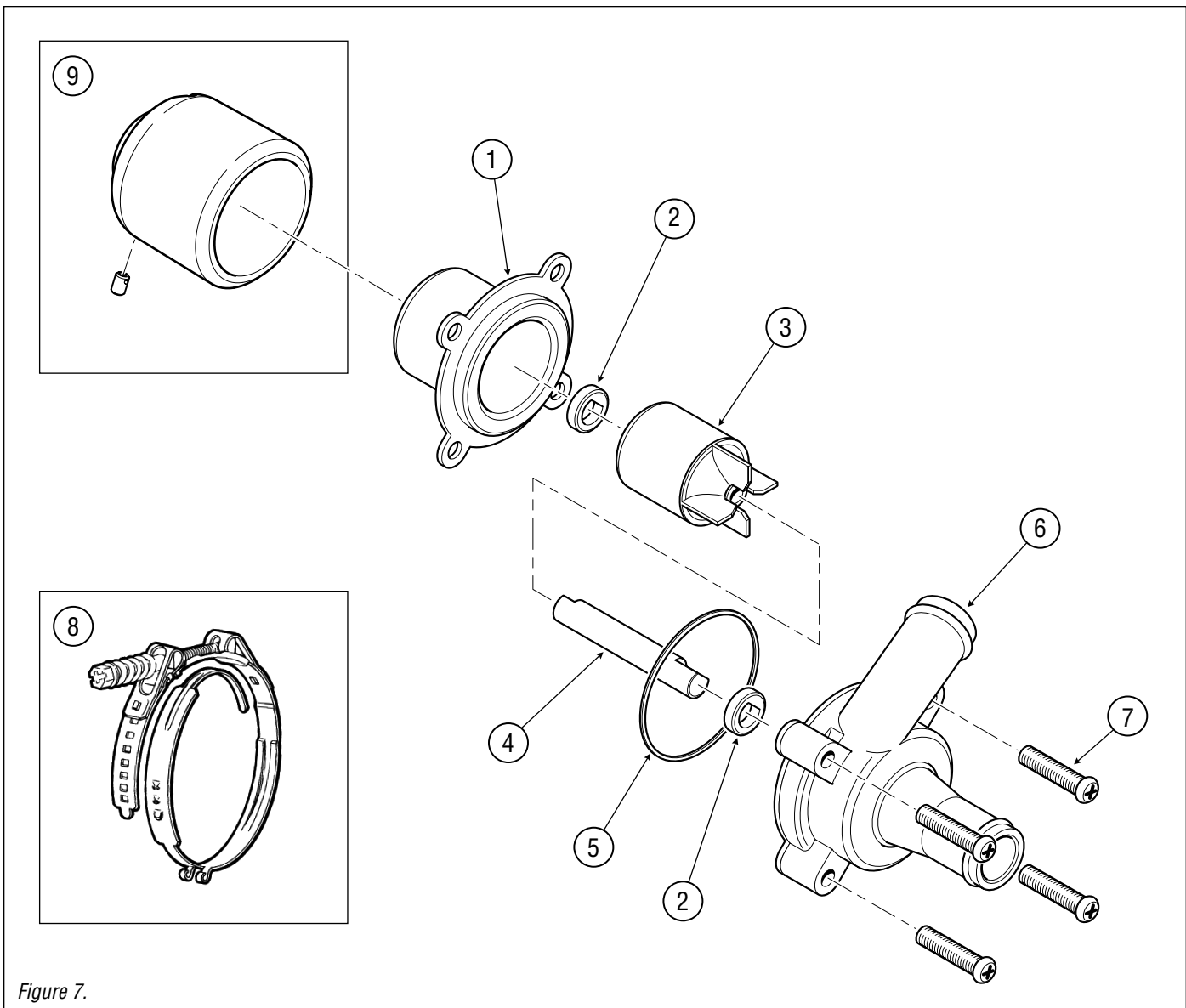


Figure 7.

ITEM	PART#	DESCRIPTION
	865893K	<b>KIT, COOLANT PUMP REBUILD</b> <b>Includes:</b>
1		Cup, Separator
2		Washer, Thrust
3		Magnet, Impeller
4		Shaft, Impeller
5		O-Ring
6		Pump Body
7		Fasteners

ITEM	PART#	DESCRIPTION
8	962823K	Clamp, Silicon Hose, #10
9	972726K	Coolant Pump Drive Cup w/set screw
10		Instructions, pump rebuild <i>(not shown)</i>
11		Instructions, hose clamp <i>(not shown)</i>



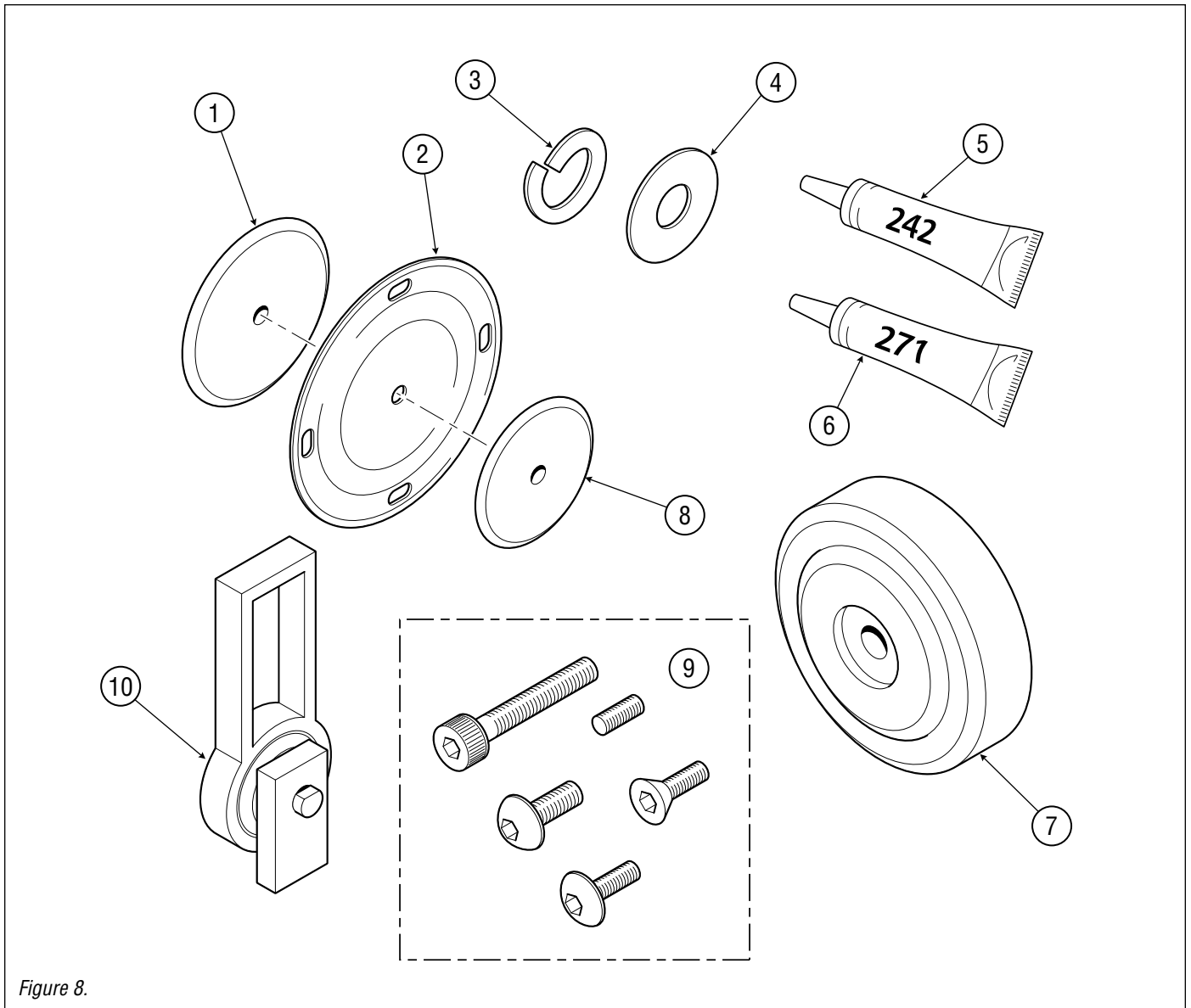


Figure 8.

ITEM	PART#	DESCRIPTION
	954685K	<b>KIT, COMPRESSOR REBUILD</b> <b>Includes:</b>
1		Disk, Compressor
2		Diaphragm, Compressor
3		Lockwasher, #10, SS
4		Washer, Sealing, 685-002
5		Loctite®, 242 (0.5 ml Tube)
6		Loctite®, 271 (0.5 ml Tube)
7		Filter, Compressor
8		Intake Disc, Compressor
9		Fasteners
10		Connecting Rod Assembly
11		Instructions, Compressor Rebuild Kit (not shown)

ITEM	PART#	DESCRIPTION
	980666K	<b>KIT, COMPRESSOR DIAPHRAGM</b> <b>Includes:</b>
2		Diaphragm, Compressor
5		Loctite®, 242 (0.5 ml Tube)
6		Loctite®, 271 (0.5 ml Tube)
12		Instructions, Compressor Diaphragm Kit (not shown)



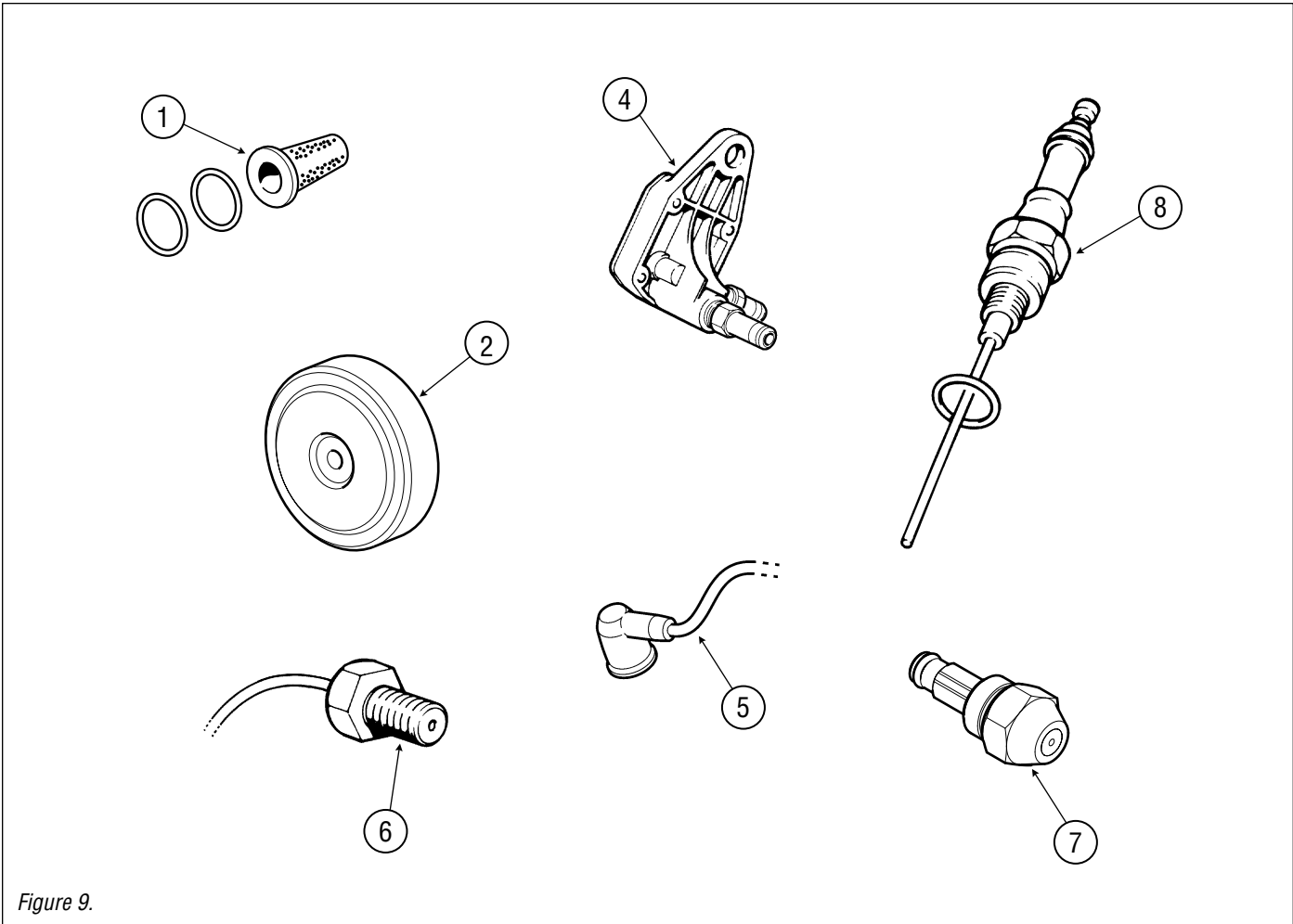


Figure 9.

ITEM	PART#	DESCRIPTION
	<b>PK0094</b>	<b>X45 FALL TUNE-UP KIT</b>
		<b>Kit Contains:</b>
1	880035K	Filter, Fuel c/w 2 O-Rings
2	825730K	Filter, Compressor
3	SB0002	Instructions, Fall Tune-up <i>(not shown)</i>

ITEM	PART#	DESCRIPTION
	<b>PK0069</b>	<b>X45 MAJOR SERVICE KIT</b>
		<b>Kit Contains:</b>
1	880035K	Filter, Fuel c/w 2 O-Rings
2	825730K	Filter, Compressor
4	951126K	Regulator, Fuel
5	930523K	Lead, Ignition
6	954329K	Sensor, Flame
7	938326K	Nozzle, Fuel, 30609-32 c/w O-Ring
8	933525K	Igniter, X45 Plus c/w gasket
9	990669	Instructions, X45 Major Service Kit <i>(Not Shown)</i>

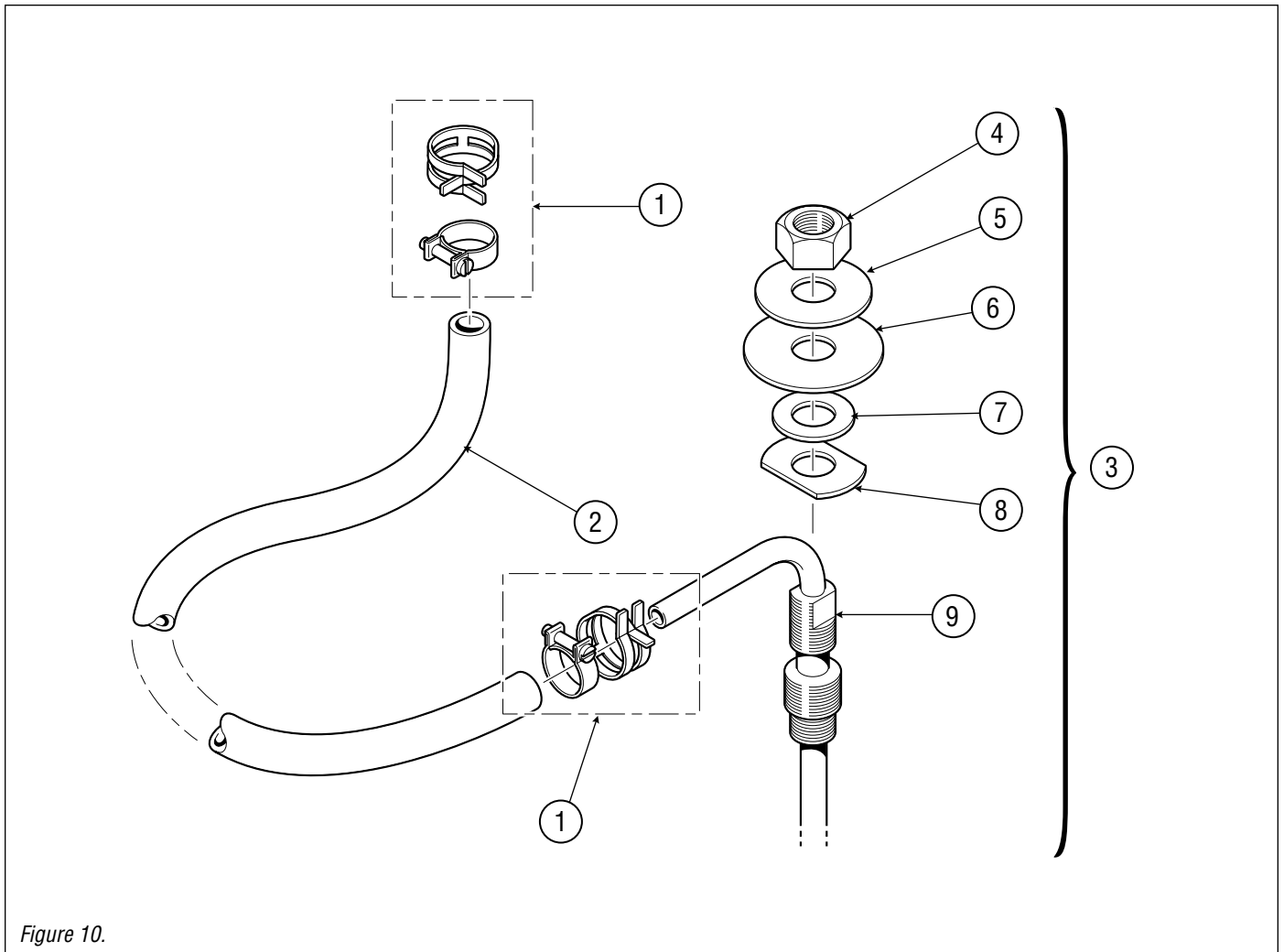


Figure 10.

ITEM	PART#	DESCRIPTION
1	880072K	Clamp, Spring, 1/4" (10/pkg)
	934325K	Clamp, Screw, 3/16" (2/pkg)
<b>Note:</b> 3/16" hose is an obsolete size. Please check your heater to ensure you are ordering the correct part.		
2	842020K	Hose, Air & Fuel, 1/4" ID, per 5ft.

ITEM	PART#	DESCRIPTION
3	841027K	Assembly, Fuel Pick-up, 24" (Standard)
	980624K	Assembly, Fuel Pick-up, 12" (Optional)
	979420K	Assembly, Fuel Pick-up, 36" (Optional)
<b>Assemblies Include:</b>		
4	840626K	Nut, 5/8" NF, (2/pkg)
5	841224K	Washer, Top, (1/pkg)
6	841328K	Gasket, Fuel Pick-Up, (5/pkg)
7	841722K	Washer, 5/8" ID x 1" OD, (2/pkg)
8	841121K	Washer, Bottom, (1/pkg)
9		Fuel Pick-up

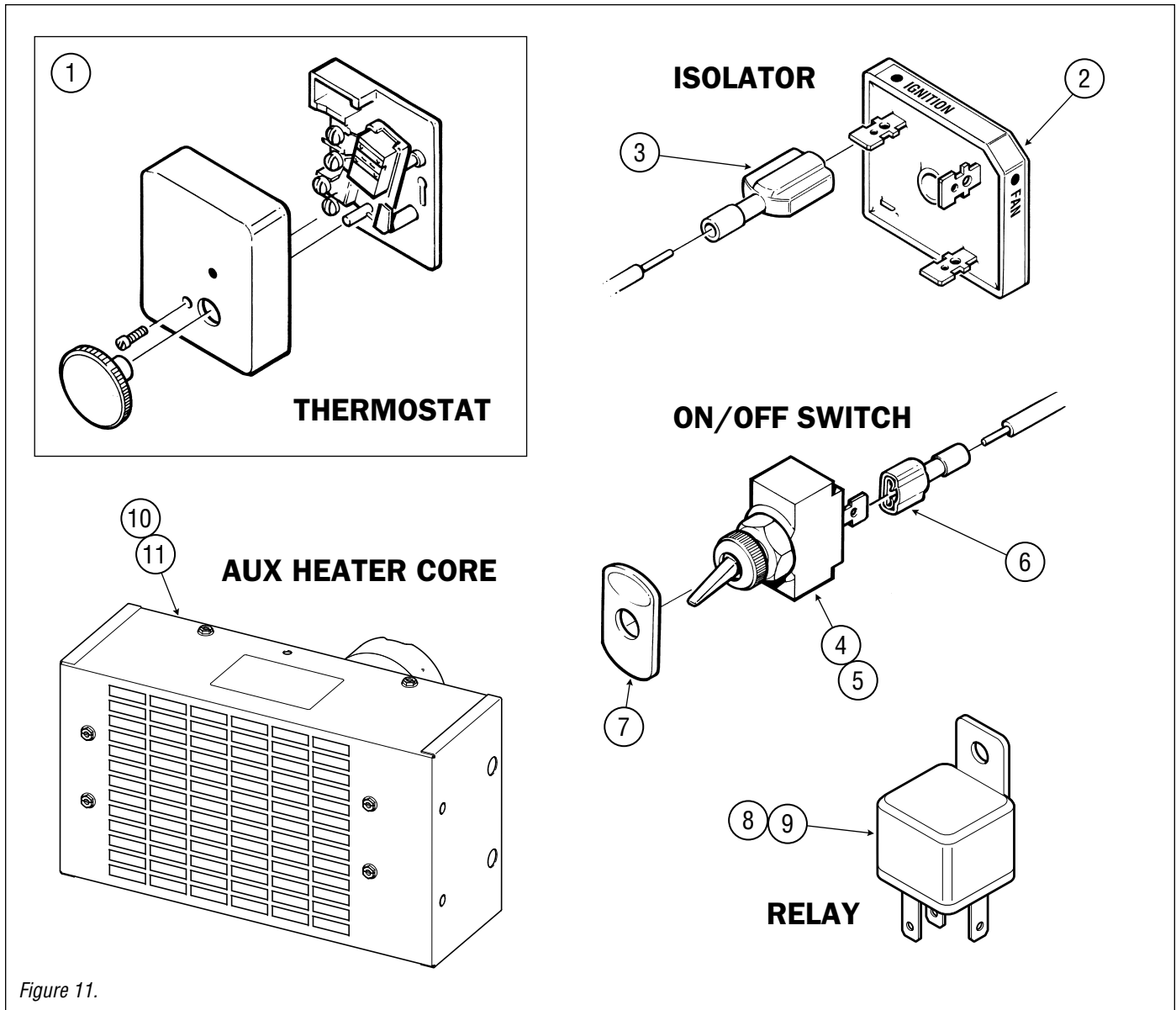


Figure 11.

ITEM	PART#	DESCRIPTION
<b>THERMOSTAT</b>		
1	3822248K	Thermostat, 12 Volts
<b>ISOLATOR</b>		
2	844326K	Isolator, Sleeper Fan c/w Decal
3	769125K	Connector, Female Spade, 1/4" (4/pkg)
<b>ON/OFF SWITCH</b>		
4	920125K	Switch, On/Off, 12V
5	842725K	Switch, On/Off, 24V
6	769125K	Connector, Female Spade, 1/4" (4/pkg)
7	919626K	Decal, Toggle Switch
<b>RELAY</b>		
8	754929K	Relay, 12V 20A
9	755029K	Relay, 24V 20A

ITEM	PART#	DESCRIPTION
<b>KIT, AUX HEATER CORE</b>		
10	PK0360	Kit, AUX Heater Core, 12V
11	PK0362	Kit, AUX Heater Core, 24V
<b>KIT, SLEEPER CONTROL</b> c/w Thermostat ( <i>not shown</i> )		
<b>Includes:</b>		
	778853K	Thermostat
	844326K	Isolator, Sleeper Fan c/w Decal
	305537K	Harness Add In, Sleeper Fan, 30', 2 Pin

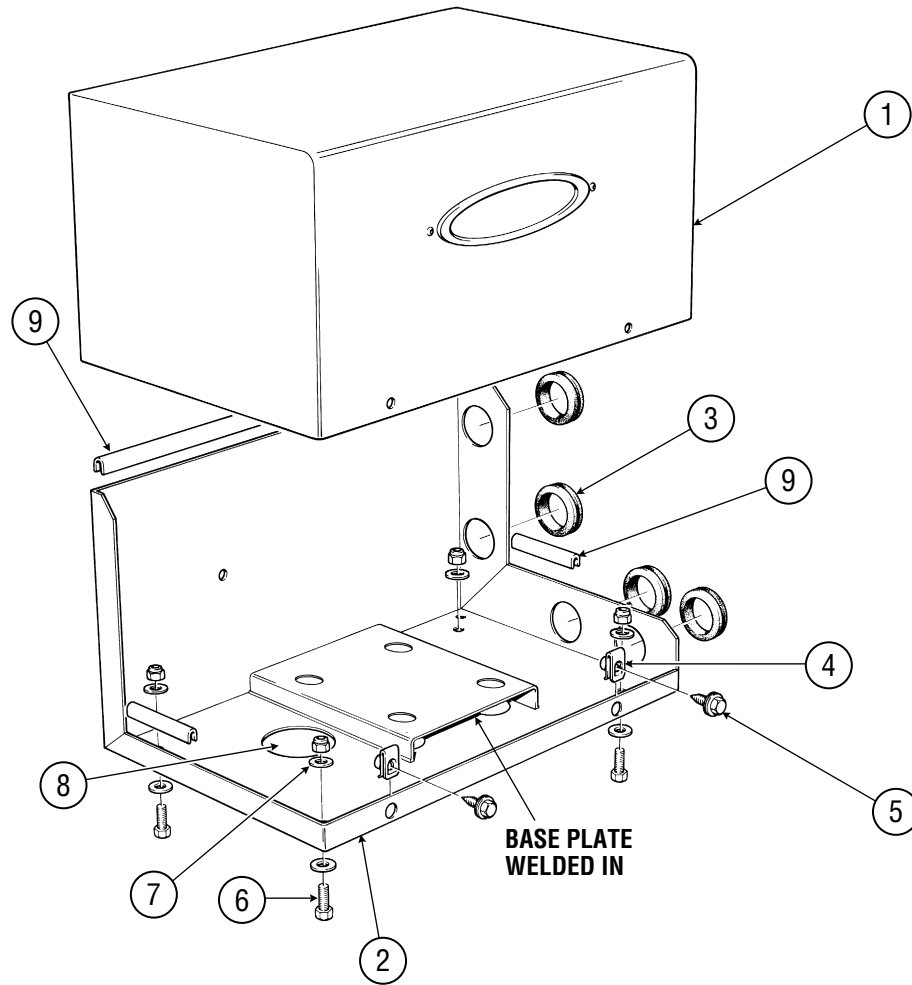


Figure 12.

ITEM	PART#	DESCRIPTION
1	916524K	Enclosure Lid, Diamond Plate c/w Logo
	954422K	Enclosure Lid, Plain c/w Logo
2	844420K	Enclosure, Base <i>This enclosure uses the 2 piece mount only. See figure 13 on page 12 for 953346K.</i>
3	903929K	Grommet, Enclosure, 1-1/2" ID (4/pkg)
4	929628K	Nut, Panel, Enclosure Base (6/pkg)
5	845422K	Screw, Hex Flange, 5/16" NC x 1" (6/pkg)
6	923829K	Screw, 5/16" NC x 1-1/4" (4/pkg)
7	010924K	Washer, 5/16" (8/pkg)
8	113820K	Nut, Self Locking, 5/16" NC (8/pkg)
9	926921K	Weather Seal, Enclosure, 2.5 ft.

ITEM	PART#	DESCRIPTION
	PK0200	<b>KIT, DIAMOND PLATE ENCLOSURE</b> <b>Includes Items 1 to 9</b> <i>This enclosure uses the 2 piece mount only. See figure 13 on page 12 for 953346K.</i>
	PK0202	<b>KIT, PLAIN ENCLOSURE</b> <b>Includes Items 1 to 9</b> <i>This enclosure uses the 2 piece mount only. See figure 13 on page 12 for 953346K.</i>

ACCESSORIES  
**MOUNTING PLATE FOR 2 PIECE MOUNTS**

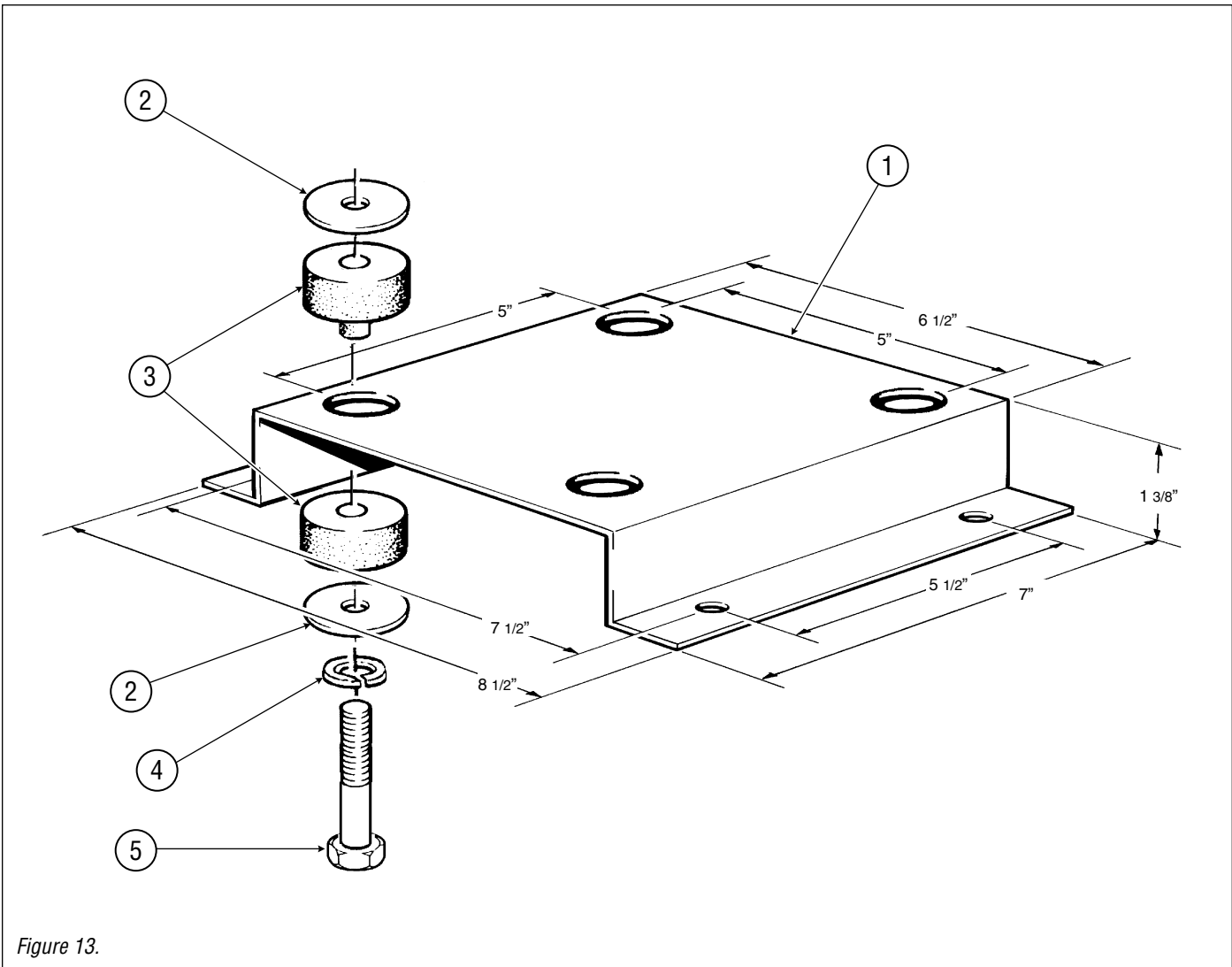


Figure 13.

ITEM	PART#	DESCRIPTION
	953346K	<b>KIT, RUBBER MOUNT</b> Includes: all four mounts, bolts, washers and nuts and fasteners:
2		Washer, Fender, Stainless Steel x 8
3		Isolator, 2 pc. (includes 2 parts) x 4
4		Lockwasher, Fender, 5/16", SS x 4
5		Bolt, 5/16" Zinc Pltd. x 4
	931100K	<b>KIT, MOUNT UPGRADE</b> (For old style enclosures made before 1997) Includes: all four mounts, bolts, washers, nuts and spacers (not shown):
2		Washer, Fender, Stainless Steel x 4
3		Isolator, 2 pc. (includes 2 parts) x 4
4		Lockwasher, Fender, 5/16", SS x 4
5		Bolt, 5/16" Zinc Pltd. x 4 Spacer, Isolator (not shown) x 4

ITEM	PART#	DESCRIPTION
	PK0065	<b>KIT, AUXILIARY BASE</b> Includes:
1		Base Mounting Plate x 1 (2 piece Isolator and all four mounts, bolts, washers and nuts.)
2		Washer, Fender, SS x 8
3		Isolator, 2 pc. (includes 2 parts) x 4
4		Lockwasher, Fender, 5/16", SS x 4
5		Bolt, 5/16", Zinc Plated x 4
1	953030K	Base Mounting Plate x 1 (2 piece Isolator)
2	010901K	Washer, Fender, SS x 8 (8/pkg)
4	700721K	Lockwasher, Fender, 5/16" x 4 (4/pkg)
5	790525K	Bolt, 5/16" NC x 1-3/4" (4/pkg)

**SIDE FRAME**

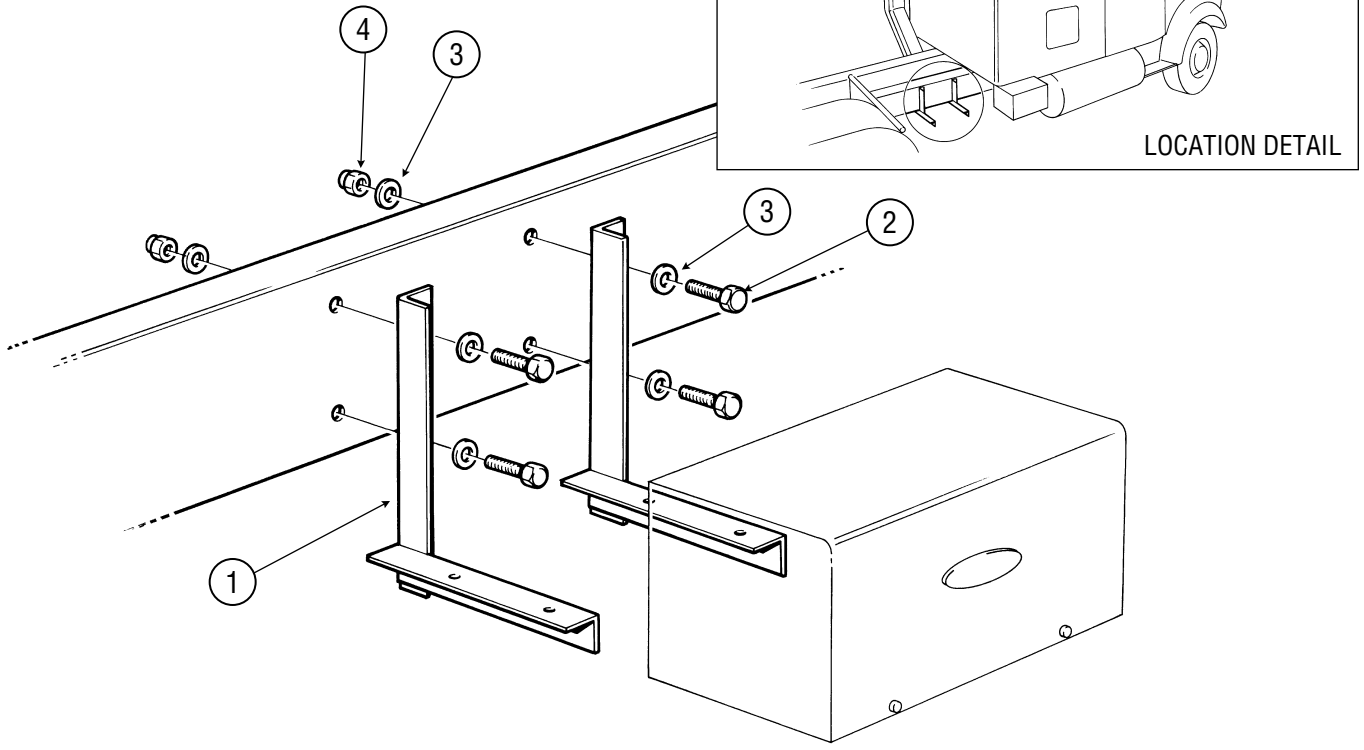


Figure 14.

ITEM	PART#	DESCRIPTION
	PK0152	<b>KIT, SIDE FRAME MOUNTING</b> Includes: brackets, bolts, washers and nuts
1		Bracket x 2
2		Bolt, 3/8" NC x 1-1/2" Hex HD x 4
3		Washer, 3/8" Flat x 8
4		Nut, Self Locking, 3/8" NC x 4

ITEM	PART#	QTY	DESCRIPTION



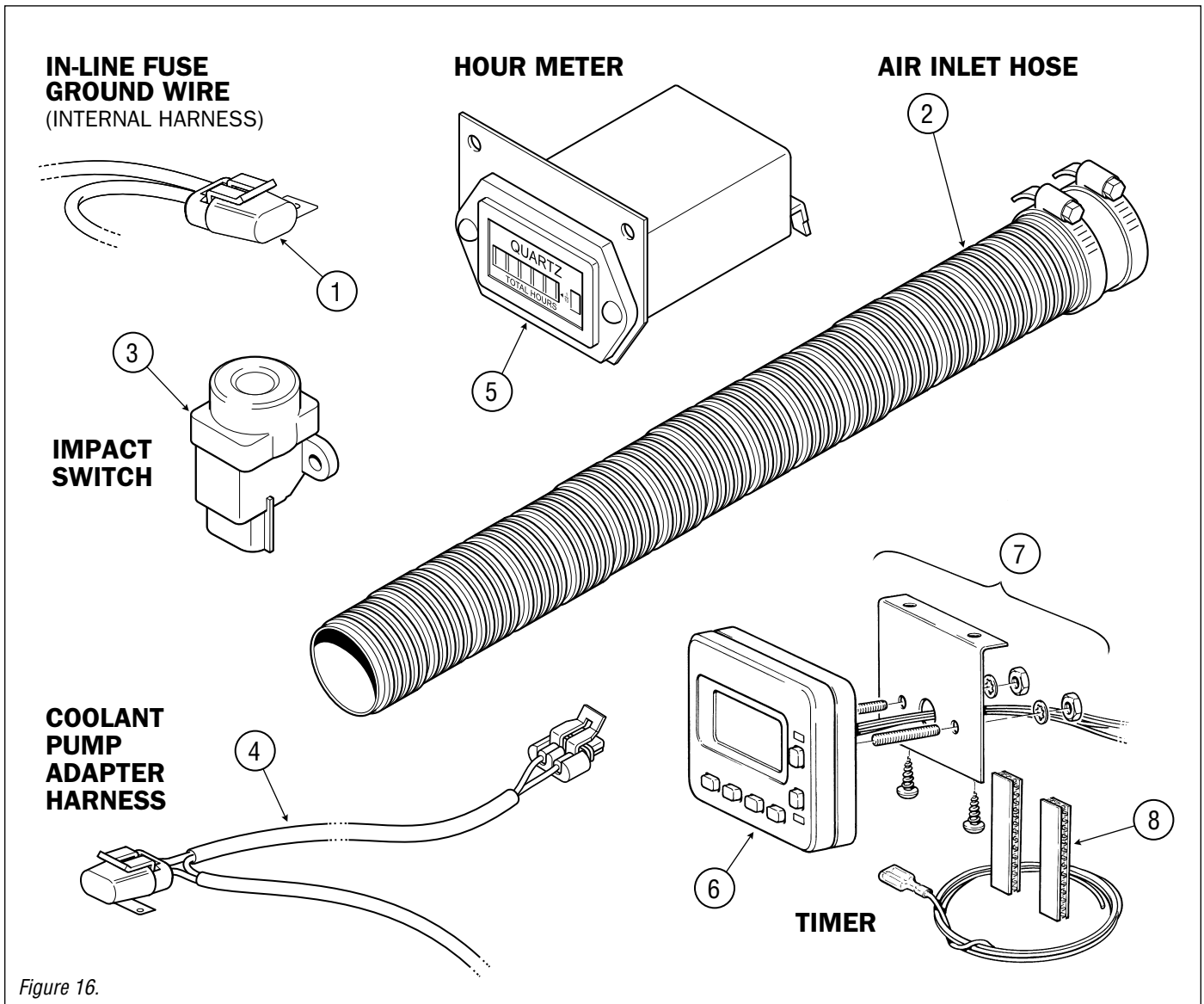


Figure 16.

ITEM	PART#	DESCRIPTION
		<b>IN-LINE FUSE GROUND WIRE</b>
1	978888K	Ground Wire, In-line Fuse
		<b>AIR INLET HOSE</b>
2	PK0320	Hose, Air Inlet, 2 ft.
		<b>IMPACT SWITCH</b>
3	PK0055	Impact Switch
		<b>COOLANT PUMP HARNESS ADAPTER</b>
4	944026K	Harness, Adapter for Alternate Coolant Pump
		<b>KIT, HOUR METER</b>
5	PK0051	

ITEM	PART#	DESCRIPTION
		<b>TIMER</b>
6	PK0001-1	T-II Timer, 7-day Digital c/w Installation Kit
		<b>KIT, INSTALLATION, TIMER</b>
7	961125K	<b>Includes: bracket, Velcro, wire, screws, studs, nuts and washers</b>
		<b>VELCRO, DUALOCK</b>
8	939225K	



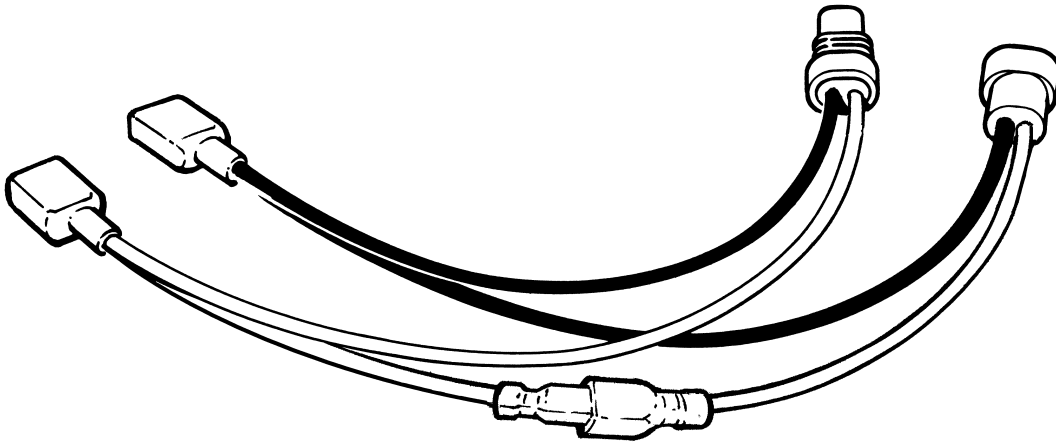


Figure 17.

ITEM	PART#	DESCRIPTION
	967921K	<b>TEST LEAD, MAIN HARNESS</b> This lead allows the user to: <ul style="list-style-type: none"> <li>• apply power to components from a remote source</li> <li>• check the internal resistance of components</li> <li>• check component voltages using a multimeter</li> <li>• check components amperage using a multimeter</li> </ul>

ITEM	PART#	DESCRIPTION

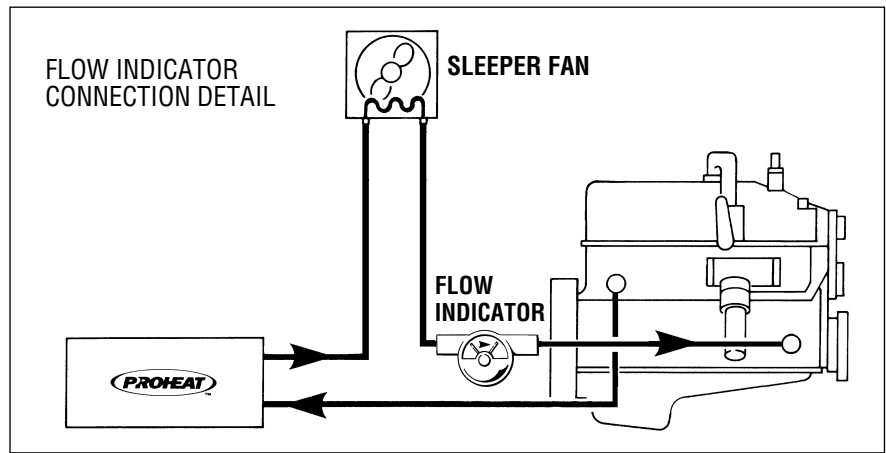
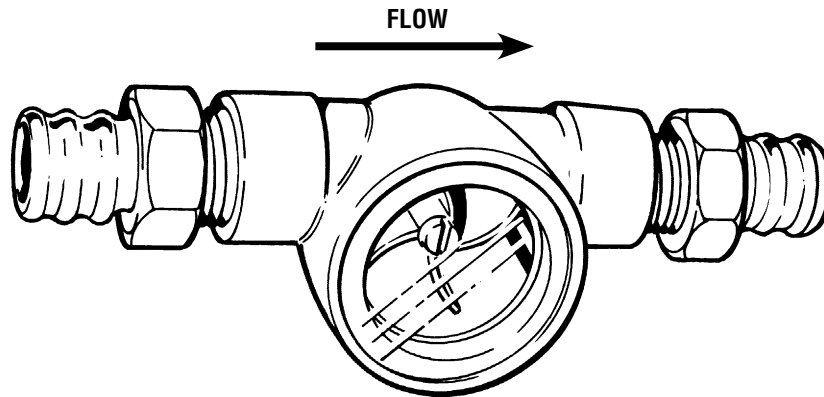


Figure 18.

ITEM	PART#	DESCRIPTION
	TK9002	<p><b>FLOW INDICATOR</b></p> <p>Allows the user to determine:</p> <ul style="list-style-type: none"> <li>• direction of flow</li> <li>• speed of flow</li> <li>• air (if any in the coolant system)</li> </ul>

ITEM	PART#	DESCRIPTION

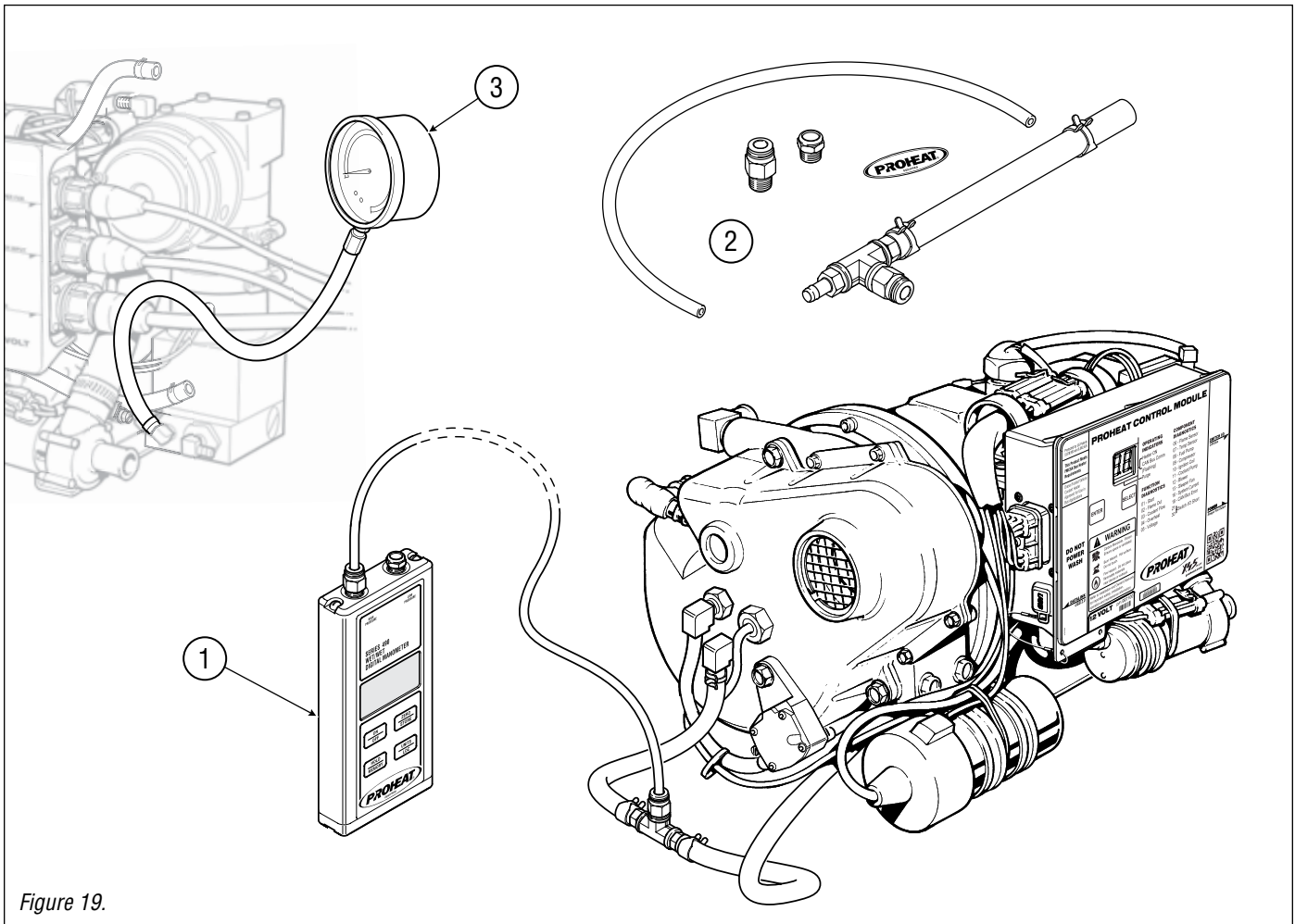


Figure 19.

ITEM	PART#	DESCRIPTION
1	PK0037	<b>TEST GAUGE, AIR PRESSURE, DIGITAL MANOMETER</b> This tool is used to check for proper air/fuel delivery through the nozzle.
2	980037K	Replacement fitting kit for PK0037
3	PK0060	<b>TEST GAUGE, FUEL PRESSURE</b> (Can also be used for air pressure measurement)

ITEM	PART#	DESCRIPTION



# NUMERIC PARTS INDEX



PART#	DESCRIPTION	PAGE#	PART#	DESCRIPTION	PAGE#
010901K	Washer, Fender, SS x 8 (8/pkg).....	12	844721K	Sight Glass Assy Kit.....	1
010924K	Washer, 5/16" (8/pkg).....	11	845028K	Exhaust Pipe, Straight, 10".....	2
014427K	O-Ring, Fuel Fitting.....	5	845422K	Screw, Hex Flange, 5/16" NC x 1" (6/pkg).....	11
014925K	O-Ring, Fuel Filter (2/pkg).....	5	850113K	Bracket, "J" c/w Clamp.....	2, 5
020625K	Lockwasher, #10, SS (10/pkg).....	2, 5	850217K	Fitting, -4 JIC Male - 1/8" Male NPT Elbow.....	5
029526K	Lockwasher, 1/4", SS (10/pkg).....	1, 2, 5	859165K	Fitting, -4 JIC-M x 1/8 NPT-M STL.....	5
113820K	Nut, Self Locking, 5/16" NC (8/pkg).....	11	865893K	Kit, Coolant Pump Rebuild.....	6
212476K	Bracket, Compressor / Fuel Pump.....	5	880015K	Fitting, Filter Cap c/w O-Ring.....	5
221442K	O-Ring, Nozzle.....	1	880035K	Filter, Fuel c/w 2 O-Rings.....	5, 8
225527K	O-Ring, Heat Exchanger.....	2	880072K	Clamp, Spring, 1/4" (10/pkg).....	1, 9
254261K	Washer, Sealing, 685-002 (2/pkg).....	5	900316K	Fan Blade c/w Glue.....	1
285725K	Fitting, SAE 45° Flare Male - 1/8" Male NPT Elbow.....	5	901021K	Sensor, Overheat c/w O Ring.....	3
305531K	Harness, X45 Plus, Power 16'.....	3	901124K	Sensor, Temperature c/w O-Ring.....	3
305533K	Harness, X45 Plus Switch/Control 25'.....	3	903628K	Screw, Hex Flange, 1/4" NC x 3/4" (12/pkg).....	1, 2, 3, 5
305534K	Harness, X45 Plus MCI, Control.....	4	903929K	Grommet, Enclosure, 1-1/2" ID (4/pkg).....	11
305535K	Harness, X45 Plus Transit ,Control.....	4	904921K	Elbow, 3/4" Hose x 1/2" NPT.....	2
305536K	Harness, X45 Plus MCI & Transit ,Power.....	4	905229K	Grommet, Controller Mount (3/pkg).....	3
305537K	Harness Add In, Sleeper Fan, 30', 2 Pin.....	3, 10	905821K	O-Ring, Temperature Sensor.....	3
305538K	Harness, Optional, X45 Plus, Add in, Switch/Control.....	3	909521K	Clamp, Exhaust Pipe.....	2
305542K	Kit, Upgrade Harness Adapters.....	4	913526K	Coil, Ignition.....	2
331539K	Clamp, Gear #36 (1/pkg).....	5	916524K	Enclosure Lid, Diamond Plate c/w Logo.....	11
334423K	Clamp, Gear, #32.....	2, 5	917724K	O-Ring, Overheat.....	3
3822248K	Thermostat, 12 Volts.....	10	919626K	Decal, Toggle Switch.....	10
700721K	Lockwasher, Fender, 5/16" x 4 (4/pkg).....	12	920125K	Switch, On/Off, 12V.....	10
754929K	Relay, 12V 20A.....	10	922224K	Screw, 1/4NC x 1/2" (2/pkg).....	5
755029K	Relay, 24V 20A.....	10	922525K	Screw, SHCS, 1/4" NC x 7/8" (4/pkg).....	1, 2
769125K	Connector, Female Spade, 1/4" (4/pkg).....	10	922680K	Screw, #10-24 x 2 1/2", SS (2/pkg).....	5
778853K	Thermostat.....	10	923829K	Screw, 5/16" NC x 1-1/4" (4/pkg).....	11
790525K	Bolt, 5/16" NC x 1-3/4" (4/pkg).....	12	925855	X45 Plus Owner's Handbook.....	19
825730K	Filter, Compressor.....	5, 8	925860	X45 Plus Installation & Service Manual.....	19
840429K	Clamp Spring, Air Green 3/16".....	1	926921K	Weather Seal, Enclosure, 2.5 ft.....	11
840626K	Nut, 5/8" NF, (2/pkg).....	9	929628K	Nut, Panel, Enclosure Base (6/pkg).....	11
841027K	Assembly, Fuel Pick-up, 24" (Standard).....	9	930523K	Lead, Ignition c/w coil boots (not shown).....	1, 8
841121K	Washer, Bottom, (1/pkg).....	9	930812K	Compressor, 12V.....	5
841224K	Washer, Top, (1/pkg).....	9	930824K	Compressor, 24V.....	5
841328K	Gasket, Fuel Pick-Up, (5/pkg).....	9	931100K	Kit, Mount upgrade.....	12
841722K	Washer, 5/8" ID x 1" OD, (2/pkg).....	9	932100K	Fan End Casting (sub).....	1
842020K	Hose, Air & Fuel, 1/4" ID, per 5ft.....	1, 9	933525K	Igniter, X45 Plus c/w Gasket.....	1, 8
842123K	Elbow, 3/8" Hose x 1/8" NPT, Air & Fuel.....	1, 5	934325K	Clamp, Screw, 3/16" (2/pkg).....	1, 9
842528K	Spacer, Controller (3/pkg).....	3	934429K	Screw, 10-24 NC x 5/8" Hex HD (4/pkg).....	1, 3
842725K	Switch, On/Off, 24V.....	10	934500K	Harness, Internal, 12V.....	3
844222K	Combustion Tube, X45.....	2	934520K	Harness, Main, 24V c/w Ground Fuse.....	3
844326K	Isolator, Sleeper Fan c/w Decal.....	10	934522K	Heat Exchanger c/w Elbows.....	2
844420K	Enclosure, Base.....	11	934626K	Clip, Wire Harness (2/pkg).....	3
			936725K	Clamp, Cushioned 3/8" ID.....	2

<b>PART#</b>	<b>DESCRIPTION</b>	<b>PAGE#</b>	<b>PART#</b>	<b>DESCRIPTION</b>	<b>PAGE#</b>
938326K	Nozzle, Fuel, 30609-32 c/w O-Ring .....	1, 8	PK0065	Kit, Auxillary Base .....	12
938928K	Nut, Nylon, 1/4" NC Jam (6/pkg).....	2	PK0069	X45 Major Service Kit .....	8
939225K	Velcro, Dualock.....	15	PK0094	X45 Fall Tune-Up Kit .....	8
940326K	Coolant Pump, 12 Volt .....	5	PK0151	Kit, Across Frame Mounting.....	14
940732K	Coupling (2/pkg).....	5	PK0152	Kit, Side Frame Mounting .....	13
942820K	Coolant Pump, 24 Volt .....	5	PK0200	Kit,Diamond Plate Enclosure.....	11
944026K	Harness, Adapter for Alternate Coolant Pump...	15	PK0202	Kit, Plain Enclosure .....	11
950121K	Screw, 1/4"NC x 1/2" SS (4/pkg).....	5	PK0320	Hose, Air Inlet, 2 ft.....	15
951126K	Regulator, Fuel .....	1, 8	PK0360	Kit, AUX Heater Core, 12V .....	10
953030K	Base Mounting Plate x 1 (2 piece Isolator) .....	12	PK0362	Kit, AUX Heater Core, 24V .....	10
953346K	Kit, Rubber Mount .....	12	SB0002	Instructions, Fall Tune-up.....	8
953523K	Gasket, Seat, Igniter .....	1	SL9035-1	T-II Timer Instruction Card.....	19
954329K	Sensor, Flame .....	1, 8	SL9170	X45 Plus Parts Catalog.....	19
954422K	Enclosure Lid, Plain c/w Logo .....	11	TK9002	Flow Indicator .....	17
954685K	Kit, Compressor Rebuild.....	7		Fuel Pick-up.....	9
961125K	Kit, Installation, Timer .....	15			
961229K	Hose, Coolant, 3/4" ID, 1 ft. ....	5			
962823K	Clamp, Silicon Hose, #10.....	5, 6			
964321K	Screen, Blower Inlet Kit .....	1			
964424K	Gasket, Blower .....	1			
967921K	Test Lead, Main Harness.....	16			
972726K	Coolant Pump Drive Cup w/set screw.....	6			
978888K	Kit, Fuse, Battery 15A .....	3, 15			
979420K	Assembly, Fuel Pick-up, 36" (Optional) .....	9			
980012K	Fuel Pump c/w coupling .....	5			
980037K	Replacement fitting kit for PK0037.....	18			
980212K	Blower, 12V c/w Gasket & Fan Blade .....	1			
980224K	Blower, 24V c/w Gasket & Fan Blade .....	1			
980521K	Exhaust Pipe, 90° Elbow, 24" .....	2			
980624K	Assembly, Fuel Pick-up, 12" (Optional) .....	9			
980666K	Kit, Compressor Diaphragm .....	7			
981324K	Relief Valve Kit .....	5			
990669	Instructions, X45 Major Service Kit.....	8			
997000K	PCM Only, X45 Plus, 12/24 Volt.....	4			
997050K	PCM Upgrade Kit, X45 Plus 12/24 Volt .....	4			
997450K	PCM Upgrade Kit, X45 Plus Transit.....	4			
997800K	PCM Only, X45 Plus, MCI Only .....	4			
997850K	PCM Upgrade Kit, X45 Plus MCI Only.....	4			
999670K	Screw, 10-24 NC x 1/2", Socket SS (4/pkg).....	2			
PK0001-1	T-II Timer, 7-day Digital c/w Installation Kit.....	15			
PK0037	Test Gauge, Air Pressure, Digital Manometer ...	18			
PK0051	Kit, Hour Meter .....	15			
PK0052	Kit, Sleeper Control c/w Thermostat.....	10			
PK0055	Impact Switch.....	15			
PK0060	Test Gauge, Fuel Pressure.....	18			



**SeaStar Solutions**

3831 No.6 Road  
Richmond, B.C.  
Canada V6V 1P6

Tel: 604-270-6899

Fax: 604-270-7172

[www.proheat.com](http://www.proheat.com)



PID# SL9170 REV. A



Designed and Manufactured  
in North America



ISO 9001

© 2016 Marine Canada Acquisition Inc.  
DBA SEASTAR SOLUTIONS

Proheat is a registered trademark of  
Marine Canada Acquisition Inc. and its  
subsidiary companies.

Printed in Canada 04/16